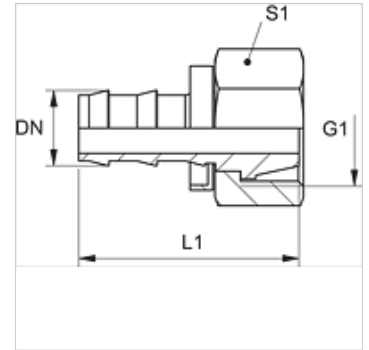


TR A

Drive type nipple, DKM

Properties

Connection 1	metric nut thread
Sealing form 1	60° sealing head
Standard	DIN 3863
Material	Steel
Surface	electro galvanised



Item

Identification	DN	Size	Inches	G1	L1 (mm)	S1
TR 04 A	5	3	3/16"	M 12 x 1.5	28	14
TR 06 A	6	4	1/4"	M 14 x 1.5	28	17
TR 06 A 08	6	4	1/4"	M 16 x 1.5	28	19
TR 08 A	8	5	5/16"	M 16 x 1.5	34	19
TR 10 A 08	10	6	3/8"	M 16 x 1.5	34	19
TR 10 A	10	6	3/8"	M 18 x 1.5	34	22
TR 13 A	12	8	1/2"	M 22 x 1.5	45	27