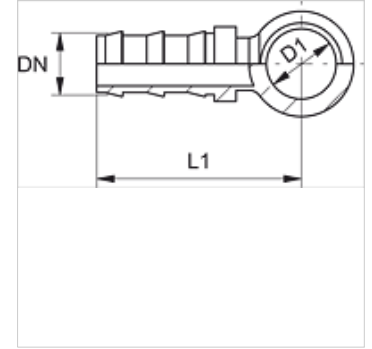


# TR B

Drive type nipple, RGN

## Properties

Connection 1	Metric banjos
Sealing form 1	Sealed by copper ring
Short code	RGN
Standard	DIN 7642
Material	Steel
Surface	electro galvanised



## Item

Identification	DN	Size	Inches	D1 (mm)	L1 (mm)
TR 04 B 02	5	3	3/16"	8	24
TR 04 B	5	3	3/16"	10	26
TR 06 B 04	6	4	1/4"	10	26
TR 06 B	6	4	1/4"	12	28
TR 06 B 08	6	4	1/4"	14	28
TR 06 B 10	6	4	1/4"	16	30
TR 08 B 06	8	5	5/16"	12	34
TR 08 B	8	5	5/16"	14	34
TR 08 B 10	8	5	5/16"	16	36
TR 10 B 08	10	6	3/8"	14	34
TR 10 B	10	6	3/8"	16	36