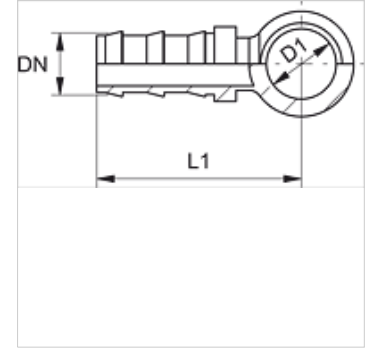


# TR BR

Drive type nipple, RGN

## Properties

<b>Connection 1</b>	imperial banjo
<b>Standard</b>	DIN 7642
<b>Material</b>	Steel
<b>Surface</b>	electro galvanised



## Item

Identification	DN	Size	Inches	D1 (mm)
TR 08 BR 10	8	5	5/16"	17