

K-2-BK AG 20-63 INFI

2/2-way ball valve Ø 20 mm - Ø 63 mm with external thread

HANSA FLEX

Properties

Media Compressed air, vacuum, inert gases

Operating pressure -0,99 bar - 15 bar

Temp. range -20 °C to +80 °C

Seal NBR

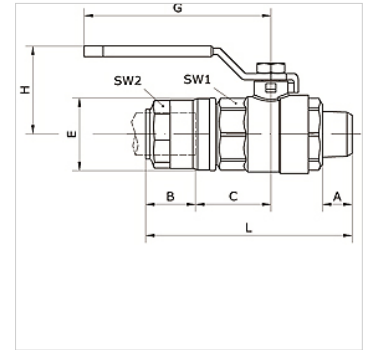
Housing Nickel-plated brass

Clamp ring Stainless steel 1.4301

Nut Nickel-plated brass

O-ring NBR

Locking ring Technopolymer



Item

Identification	External pipe Ø	Connection	A (mm)	B (mm)	C (mm)	DN	E (mm)	G (mm)	H (mm)	L (mm)	AF1 (mm)	AF2 (mm)
K- 07 40 54 42	20 mm	R 1/2	18,0	31,5	29,3	15	34,5	88	42,0	100,8	32	30
K- 07 40 54 43	25 mm	R 3/4	18,0	38,5	30,8	20	42,5	106	47,5	119,3	41	35