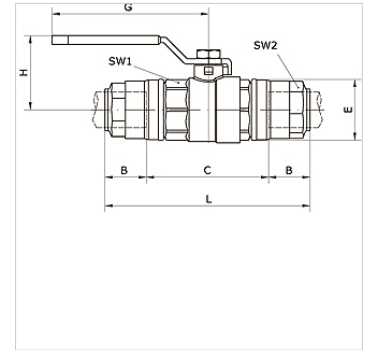


# K-2-BK V DURCHG 20-63 INFI

2/2-way ball valve Ø 20 mm - Ø 63 mm full bore

## Properties

<b>Media</b>	Compressed air, vacuum, inert gases
<b>Operating pressure</b>	-0,99 bar - 15 bar
<b>Temp. range</b>	-20 °C to +80 °C
<b>Seal</b>	NBR
<b>Housing</b>	Nickel-plated brass
<b>Clamp ring</b>	Stainless steel 1.4301
<b>Nut</b>	Nickel-plated brass
<b>O-ring</b>	NBR
<b>Locking ring</b>	Technopolymer



## Item

Identification	External pipe Ø	B (mm)	C (mm)	DN	E (mm)	G (mm)	H (mm)	L (mm)	AF1 (mm)	AF2 (mm)
K- 07 40 54 36	20 mm	31,5	58,5	17	34,5	88	42,0	121,5	32	30
K- 07 40 54 37	25 mm	38,5	61,5	22	42,5	106	47,5	138,5	41	35
K- 07 40 54 38	32 mm	46,0	75,0	29	52,0	106	53,0	167,0	50	45
K- 07 40 54 39	40 mm	52,5	81,0	37	63,0	134	65,0	186,0	59	55
K- 07 40 54 40	50 mm	63,5	103,0	46	73,0	134	72,5	230,0	69	65