

# K-2-BK V DURCHG INFI

2/2-way ball valve Ø 20 mm - Ø 63 mm full bore

**HANSA FLEX**

## Properties

**Media** Compressed air, vacuum, inert gases

**Operating pressure** -0,99 bar - 15 bar

**Temp. range** -20 °C to +80 °C

**Seal** NBR

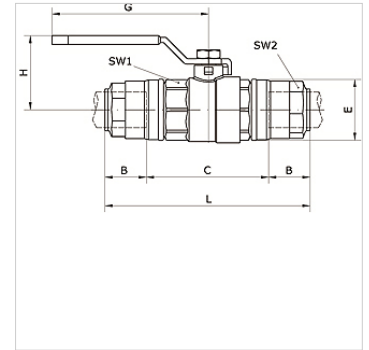
**Housing** Nickel-plated brass

**Clamp ring** Stainless steel 1.4301

**Nut** Aluminium

**O-ring** NBR

**Locking ring** Technopolymer



## Item

| Identification | External pipe Ø | B<br>(mm) | C<br>(mm) | DN | E<br>(mm) | G<br>(mm) | H<br>(mm) | L<br>(mm) | AF1<br>(mm) | AF2<br>(mm) |
|----------------|-----------------|-----------|-----------|----|-----------|-----------|-----------|-----------|-------------|-------------|
| K- 07 40 55 05 | 63 mm           | 57,5      | 38,0      | 59 | 94,0      | 240       | 111,5     | 232,0     | 89          | 75          |