

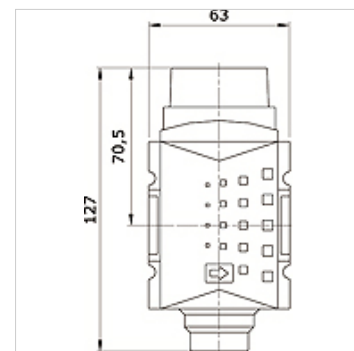
K-3WBK HANSA PRO

3/2-way ball valve, HANSA PRO

HANSA FLEX

Properties

Media	Compressed air
Mounting type	Line mounting, mounting kit or wall mounting
actuation type/lock	lockable with key lock
Installation position	Any
Nominal flow-rate G1/2	11.000 l/min (P1 = 6 bar/Delta P = 1 bar)
Nominal flow-rate G 3/8	7.250 l/min (P1 = 6 bar/Delta P = 1 bar)
PE max 11	16 bar



Item

Identification	Connection	Size
K- 07 25 22 54	G 3/8 i	2
K- 07 25 22 55	G 1/2 i	2

Accessories

K-STECKSCHLOSS	Key lock
-----------------------	----------