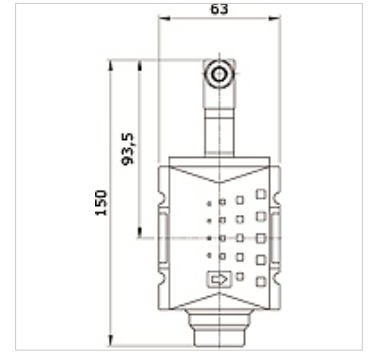


K-3WSV ELKT OS HANSA PRO

3/2-way poppet valve electrically actuated, HANSA PRO

Properties

Media temperature	-10 °C to +50 °C
Ambient temperature	-10 °C to +50 °C
Media	Compressed air
Protection IP	IP 65 acc. to DIN 40050
Mounting type	Line mounting, mounting kit or wall mounting
Operation	electrical
Pressure range	2 - 10 bar
Installation position	Any
Nominal flow-rate G1/2	5.200 l/min (P1 = 6 bar/Delta P = 1 bar)
Nominal flow-rate G 3/8	4.300 l/min (P1 = 6 bar/Delta P = 1 bar)
PE max 11	10 bar
Housing	PA66



Item

Identification	Connection	Rated voltage/ current type	Size
K- 07 25 22 56	G 3/8 i	no coil	2
K- 07 25 22 57	G 1/2 i	no coil	2