

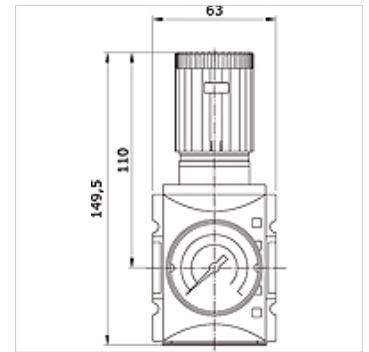
# K-DRG MANO HANSA PRO

Pressure regulator, with pressure gauge, HANSA PRO

**HANSA FLEX**

## Properties

<b>Output pressure</b>	Pa 0,5 - 8 bar (Standart)Pa 0,1 - 1 barPa 0,1 - 2 barPa 0,2 - 4 barPa 0,5 - 10 barPa 0,5 - 16 bar
<b>Media temperature</b>	-10 °C to +50 °C
<b>Ambient temperature</b>	-10 °C to +50 °C
<b>Media</b>	Compressed air
<b>Design</b>	Diaphragm pressure regulator with relieving
<b>Mounting type</b>	Line mounting, panel mounting, mounting kit or wall mounting
<b>actuation type/lock</b>	lockable handwheel
<b>Installation position</b>	Any
<b>Thread pressure gauge</b>	G 1/4 i
<b>Nominal flow-rate G1/2</b>	5.100 l/min (P1 = 10 bar, P2 = 6,3 bar/Delta P = 1 bar)
<b>Nominal flow-rate G 3/8</b>	4.300 l/min (P1 = 10 bar, P2 = 6,3 bar/Delta P = 1 bar)
<b>Pe max</b>	16 bar
<b>Housing</b>	PA66
<b>Diaphragm, seals</b>	Ms/NBR/PA6



## Item

Identification	Connection	Control range	Indicating range	Size
K- 07 25 21 36	G 3/8 i	0.1 - 1 bar	0 - 1,6 bar	2
K- 07 25 21 37	G 3/8 i	0.1 - 2 bar	0 - 2,5 bar	2
K- 07 25 21 38	G 3/8 i	0.2 - 4 bar	0 - 6 bar	2
K- 07 25 21 39	G 3/8 i	0.5 - 8 bar	0 - 10 bar	2
K- 07 25 21 40	G 3/8 i	0.5 - 10 bar	0 - 16 bar	2
K- 07 25 21 41	G 3/8 i	0.5 - 16 bar	0 - 25 bar	2
K- 07 25 21 42	G 1/2 i	0.1 - 1 bar	0 - 1,6 bar	2
K- 07 25 21 43	G 1/2 i	0.1 - 2 bar	0 - 2,5 bar	2
K- 07 25 21 44	G 1/2 i	0.2 - 4 bar	0 - 6 bar	2
K- 07 25 21 45	G 1/2 i	0.5 - 8 bar	0 - 10 bar	2
K- 07 25 21 46	G 1/2 i	0.5 - 10 bar	0 - 16 bar	2
K- 07 25 21 47	G 1/2 i	0.5 - 16 bar	0 - 25 bar	2