

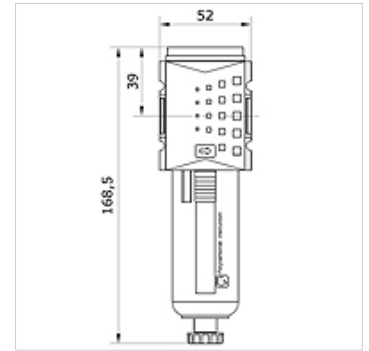
# K-FI FEIN HANSA PRO

Compressed air fine filter, with manual/semi-automatic condensate drain, HANSA PRO

**HANSA FLEX**

## Properties

<b>Media temperature</b>	-10 °C to +50 °C
<b>Ambient temperature</b>	-10 °C to +50 °C
<b>Media</b>	Compressed air
<b>Design</b>	fiber filter
<b>Mounting type</b>	Line mounting, mounting kit or wall mounting
<b>Installation position</b>	Vertical, drain down
<b>Filter rating</b>	0,01 µm
<b>filter efficiency</b>	99.999 %
<b>Nominal flow-rate G1/2</b>	750 l/min (P1 = 6 bar/Delta P = 0,1 bar)
<b>Nominal flow-rate G 3/8</b>	750 l/min (P1 = 6 bar/Delta P = 0,1 bar)
<b>Pe max</b>	16 bar
<b>Filter element</b>	Borsilicate-Al
<b>Housing</b>	PA66
<b>Residual oil content</b>	0,01 mg/m3



## Item

Identification	Connection	Container	Size	condensate outlet
K- 07 25 21 28	G 3/8 i	polycarbonate with protective cage	2	manual / semi-automatic
K- 07 25 21 29	G 1/2 i	polycarbonate with protective cage	2	manual / semi-automatic
K- 07 25 21 30	G 3/8 i	zinc with visual display	2	manual / semi-automatic
K- 07 25 21 31	G 1/2 i	zinc with visual display	2	manual / semi-automatic