

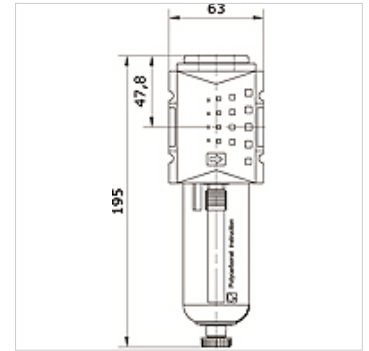
K-FI VOR HANSA PRO

Compressed air prefilter, with manual/semi-automatic condensate drain, HANSA PRO

HANSA FLEX

Properties

Media temperature	-10 °C to +50 °C
Ambient temperature	-10 °C to +50 °C
Media	Compressed air
Design	fiber filter
Mounting type	Line mounting, mounting kit or wall mounting
Installation position	Vertical, drain down
Filter rating	0,30 µm
filter efficiency	99.999 %
max. condensate quantity	49 cc
Nominal flow-rate G1/2	580 l/min (P1 = 6 bar/Delta P = 0,02 bar)
Nominal flow-rate G 3/8	580 l/min (P1 = 6 bar/Delta P = 0,02 bar)
Pe max	16 bar
Filter element	Paper-Al
Housing	PA66
Residual oil content	0,01 mg/m3



Item

Identification	Connection	Container	Size	condensate outlet
K- 07 25 21 24	G 3/8 i	polycarbonate with protective cage	2	manual / semi-automatic
K- 07 25 21 25	G 1/2 i	polycarbonate with protective cage	2	manual / semi-automatic
K- 07 25 21 26	G 3/8 i	zinc with visual display	2	manual / semi-automatic
K- 07 25 21 27	G 1/2 i	zinc with visual display	2	manual / semi-automatic