

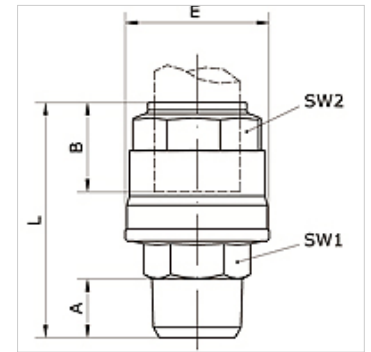
# K-G STECK 20-63 AG INFI

Straight push-in connector Ø 20 mm – Ø 63 mm with external thread

**HANSA FLEX**

## Properties

<b>Media</b>	Compressed air, vacuum, inert gases
<b>Operating pressure</b>	-0,99 bar - 15 bar
<b>Temp. range</b>	-20 °C to +80 °C
<b>Seal</b>	NBR
<b>Housing</b>	Nickel-plated brass
<b>Clamp ring</b>	Stainless steel 1.4301
<b>Nut</b>	Nickel-plated brass
<b>O-ring</b>	NBR
<b>Locking ring</b>	Technopolymer



## Item

Identification	External pipe Ø	Connection	A (mm)	B (mm)	E (mm)	L (mm)	AF1 (mm)	AF2 (mm)
K- 07 40 53 37	20 mm	R 1/2	14,0	31,5	34,5	56,0	22	30
K- 07 40 53 38	25 mm	R 3/4	16,5	38,5	42,5	66,0	27	35
K- 07 40 53 39	32 mm	R 1	19,0	46,0	52,0	76,5	34	45
K- 07 40 53 40	40 mm	R 1 1/4	21,5	52,0	63,0	89,5	45	55
K- 07 40 53 41	40 mm	R 1 1/2	21,5	52,0	63,0	92,0	50	55
K- 07 40 53 42	50 mm	R 1 1/2	21,5	63,5	73,0	105,0	50	65