

K-G-STECK VB 20-63 AG INFI

Straight push-in connector Ø 20 mm – Ø 63 mm with external thread

HANSA FLEX

Properties

Media Compressed air, vacuum, inert gases

Operating pressure -0,99 bar - 15 bar

Temp. range -20 °C to +80 °C

Seal NBR

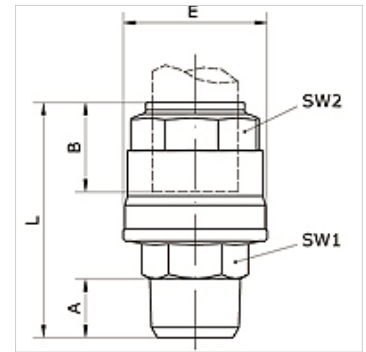
Housing Aluminium

Clamp ring Stainless steel 1.4301

Nut Aluminium

O-ring NBR

Locking ring Technopolymer



Item

Identification	External pipe Ø	Connection	A (mm)	B (mm)	E (mm)	L (mm)	AF1 (mm)	AF2 (mm)
K- 07 40 54 95	63 mm	R 2	24,0	57,5	94,0	109,5	65	75
K- 07 40 54 96	63 mm	R 2 1/2	24,0	57,5	94,0	106,5	75	75