

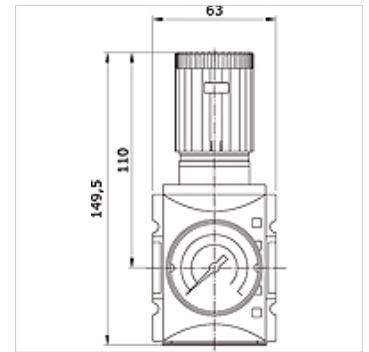
K-PDRR MANO HANSA PRO

Precision pressure regulator, with pressure gauge, HANSA PRO

HANSA FLEX

Properties

| | |
|--------------------------------------|---|
| Output pressure | Pa 0,5 - 8 bar (Standart)Pa 0,1 - 1 barPa 0,1 - 2 barPa 0,2 - 4 barPa 0,5 - 10 barPa 0,5 - 16 bar |
| Media temperature | -10 °C to +50 °C |
| Ambient temperature | -10 °C to +50 °C |
| Media | Compressed air |
| Design | Diaphragm pressure regulator with relieving |
| Mounting type | Line mounting, panel mounting, mounting kit or wall mounting |
| actuation type/lock | lockable handwheel |
| Installation position | Any |
| Thread pressure gauge | G 1/4 i |
| max. internal air consumption | 2,6 l/min at P2 = 6 bar |
| Nominal flow-rate G1/2 | 5.100 l/min (P1 = 10 bar, P2 = 6,3 bar/Delta P = 1 bar) |
| Nominal flow-rate G 3/8 | 4.300 l/min (P1 = 10 bar, P2 = 6,3 bar/Delta P = 1 bar) |
| Pe max | 16 bar |
| Housing | PA66 |
| Diaphragm, seals | Ms/NBR/PA6 |



Item

| Identification | Connection | Control range | Indicating range | Size |
|----------------|------------|---------------|------------------|------|
| K- 07 25 21 48 | G 3/8 i | 0.1 - 1 bar | 0 - 1,6 bar | 2 |
| K- 07 25 21 49 | G 3/8 i | 0.1 - 2 bar | 0 - 2,5 bar | 2 |
| K- 07 25 21 50 | G 3/8 i | 0.2 - 4 bar | 0 - 6 bar | 2 |
| K- 07 25 21 51 | G 3/8 i | 0.5 - 8 bar | 0 - 10 bar | 2 |
| K- 07 25 21 52 | G 3/8 i | 0.5 - 10 bar | 0 - 16 bar | 2 |
| K- 07 25 21 53 | G 3/8 i | 0.5 - 16 bar | 0 - 25 bar | 2 |
| K- 07 25 21 54 | G 1/2 i | 0.1 - 1 bar | 0 - 1,6 bar | 2 |
| K- 07 25 21 55 | G 1/2 i | 0.1 - 2 bar | 0 - 2,5 bar | 2 |
| K- 07 25 21 56 | G 1/2 i | 0.2 - 4 bar | 0 - 6 bar | 2 |
| K- 07 25 21 57 | G 1/2 i | 0.5 - 8 bar | 0 - 10 bar | 2 |
| K- 07 25 21 58 | G 1/2 i | 0.5 - 10 bar | 0 - 16 bar | 2 |
| K- 07 25 21 59 | G 1/2 i | 0.5 - 16 bar | 0 - 25 bar | 2 |