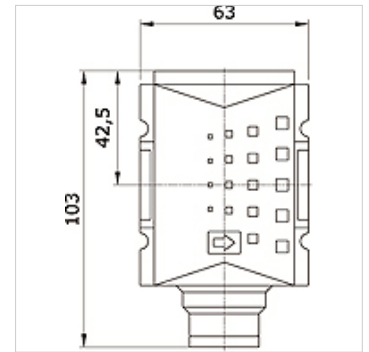


# K-RD HANSA PRO

Non-return valve, HANSA PRO

## Properties

|                                |  |
|--------------------------------|--|
| <b>Media temperature</b>       | -10 °C to +50 °C                             |
| <b>Ambient temperature</b>     | -10 °C to +50 °C                             |
| <b>Media</b>                   | Compressed air                               |
| <b>Design</b>                  | poppet valve, spring-loaded                  |
| <b>Mounting type</b>           | Line mounting, mounting kit or wall mounting |
| <b>Installation position</b>   | Any  |
| <b>Nominal flow-rate G1/2</b>  | 5.000 l/min (P1 = 6 bar/Delta P = 1 bar)     |
| <b>Nominal flow-rate G 3/8</b> | 5.000 l/min (P1 = 6 bar/Delta P = 1 bar)     |
| <b>PE max 11</b>               | 16 bar                                       |
| <b>Housing</b>                 | PA66   |



## Item

| Identification | Connection | Size |
|----------------|------------|------|
| K- 07 25 22 62 | G 3/8 i    | 2    |
| K- 07 25 22 63 | G 1/2 i    | 2    |