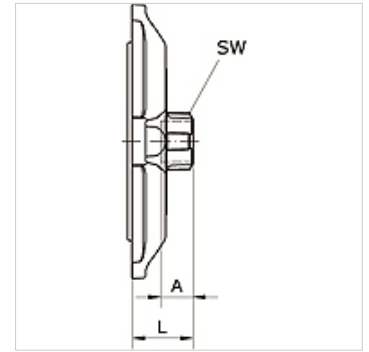


K-RED FLANSCH 80-100 IG INFI

Reducing flange Ø 80 mm/Ø 110 mm with female thread

Properties

Media	Compressed air, vacuum, inert gases
Operating pressure	-0,99 bar - 15 bar
Temp. range	-20 °C to +80 °C
Guide ring	Technopolymer
Housing	Aluminium, treated surface
Allen screw	Galvanised steel
Clamp ring	Stainless steel 1.4301
Nut	Aluminium, surface treated
O-ring	NBR
Self-locking nut	Galvanised steel
Locking ring	Technopolymer



Item					
Identification	Connection	for external pipe Ø mm	A (mm)	L (mm)	AF (mm)
K- 07 40 55 23	G 3/4	80	14,5	42,0	42
K- 07 40 55 24	G 1	80	17,0	42,0	49
K- 07 40 55 25	G 1 1/2	80	20,0	42,0	66
K- 07 40 55 26	G 2	80	22,0	42,0	80
K- 07 40 54 73	G 3/4	110	14,5	48,0	42
K- 07 40 54 74	G 1	110	17,0	48,0	49
K- 07 40 54 75	G 1 1/2	110	20,0	48,0	66
K- 07 40 54 76	G 2	110	22,0	48,0	80