

# K-STECK VB 20-63 INFI

Straight push-in connector  $\varnothing$  20 mm –  $\varnothing$  63 mm

**HANSA FLEX**

## Properties

**Media** Compressed air, vacuum, inert gases

**Operating pressure** -0,99 bar - 15 bar

**Temp. range** -20 °C to +80 °C

**Seal** NBR

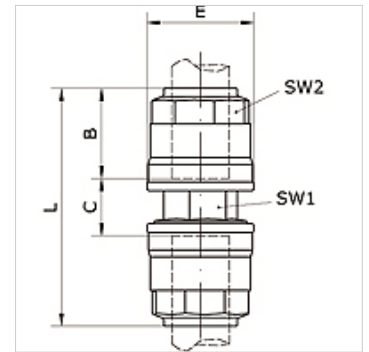
**Housing** Aluminium

**Clamp ring** Stainless steel 1.4301

**Nut** Aluminium

**O-ring** NBR

**Locking ring** Technopolymer



## Item

Identification	External pipe $\varnothing$	B (mm)	C (mm)	E (mm)	L (mm)	AF1 (mm)	AF2 (mm)
K- 07 40 54 97	63 mm	57,5	44,0	94,0	159,0	73	75