

K-STECK VS 20-50 INFI

press-lock Ø 20 mm – Ø 63 mm

HANSA FLEX

Properties

Media Compressed air, vacuum, inert gases

Operating pressure -0,99 bar - 15 bar

Temp. range -20 °C to +80 °C

Seal NBR

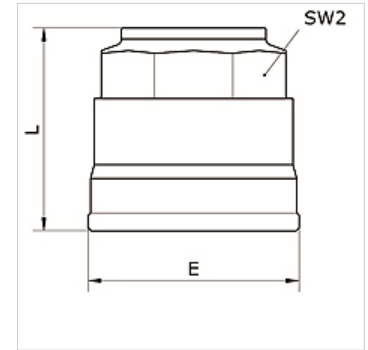
Housing Nickel-plated brass

Clamp ring Stainless steel 1.4301

Nut Nickel-plated brass

O-ring NBR

Locking ring Technopolymer



Item

Identification	External pipe Ø	E (mm)	L (mm)	AF2 (mm)
K- 07 40 54 20	20 mm	34,5	33,0	30
K- 07 40 54 21	25 mm	42,5	39,0	35
K- 07 40 54 22	32 mm	52,0	46,5	45
K- 07 40 54 23	40 mm	63,0	53,0	55
K- 07 40 54 24	50 mm	73,0	62,0	65
K- 07 40 55 04	63 mm	94,0	54,0	75