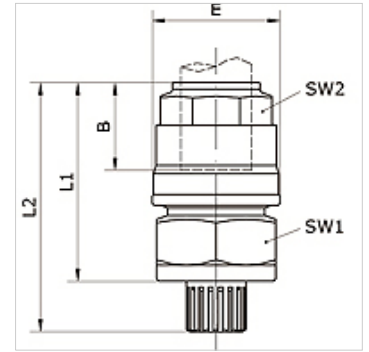


# K-STECK VS ABLASS 20-63 INFI

press-lock Ø 20 mm – Ø 63 mm with condensate drain

## Properties

<b>Media</b>	Compressed air, vacuum, inert gases
<b>Operating pressure</b>	-0,99 bar - 15 bar
<b>Temp. range</b>	-20 °C to +80 °C
<b>Seal</b>	NBR
<b>Housing</b>	Nickel-plated brass
<b>Clamp ring</b>	Stainless steel 1.4301
<b>Nut</b>	Nickel-plated brass
<b>O-ring</b>	NBR
<b>Locking ring</b>	Technopolymer



## Item

Identification	External pipe Ø	B (mm)	E (mm)	L1 (mm)	L2 (mm)	AF1 (mm)	AF2 (mm)
K- 07 40 53 86	20 mm	36,0	34,5	52,5	67,0	32	30
K- 07 40 53 87	25 mm	38,5	42,5	57,5	72,0	32	35
K- 07 40 53 88	32 mm	46,0	52,0	67,5	82,0	38	45
K- 07 40 53 89	40 mm	52,0	63,0	77,0	91,5	50	55
K- 07 40 53 90	50 mm	63,5	73,0	86,5	101,0	55	65