

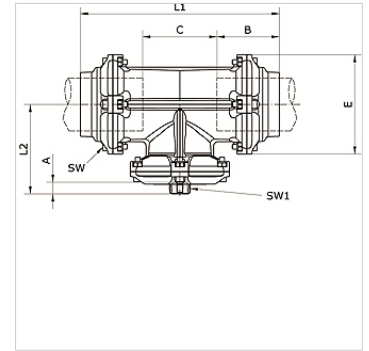
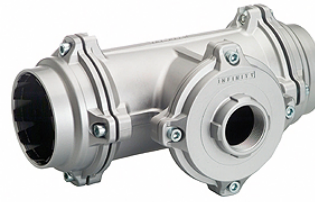
K-T-STECK VB 80-100 RED ABG INFI

T-push-in connector Ø 80 mm/Ø 110 mm with reduced outlet and female thread

HANSA FLEX

Properties

Media	Compressed air, vacuum, inert gases
Operating pressure	-0,99 bar - 15 bar
Temp. range	-20 °C to +80 °C
Guide ring	Technopolymer
Housing	Aluminium, treated surface
Allen screw	Galvanised steel
Clamp ring	Stainless steel 1.4301
Nut	Aluminium, surface treated
O-ring	NBR
Self-locking nut	Galvanised steel
Locking ring	Technopolymer



Item

Identification	External pipe Ø	Connection	A (mm)	B (mm)	C (mm)	E (mm)	L1 (mm)	L2 (mm)	AF (mm)	AF1 (mm)
K- 07 40 55 21	80 - 80 mm	G 3/4	14,5	91,0	109,0	145,0	291,5	138,0	6	42
K- 07 40 54 68	110 - 110 mm	G 3/4	14,5	125,5	150,5	200,0	401,0	180,0	8	42