

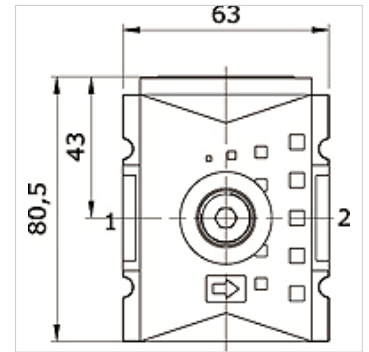
K-VERTEILER 4-FACH HANSA PRO

Distributor 4-fold, HANSA PRO

HANSA FLEX

Properties

Media temperature	-10 °C to +50 °C
Ambient temperature	-10 °C to +50 °C
Media	Compressed air
Mounting type	Line mounting, mounting kit or wall mounting
Installation position	Any
Nominal flow-rate G1/2	11.000 l/min (P1 = 6 bar/Delta P = 1 bar)
Nominal flow-rate G 3/8	7.250 l/min (P1 = 6 bar/Delta P = 1 bar)
standard nominal flow rate rear (P – E)	2.250 l/min (P1 = 6 bar/Delta P = 1 bar)
standard nominal flow rate top (P – D)	2.250 l/min (P1 = 6 bar/Delta P = 1 bar)
standard nominal flow rate bottom (P – B)	5.500 l/min (P1 = 6 bar/Delta P = 1 bar)
standard nominal flow rate front (P – C)	2.250 l/min (P1 = 6 bar/Delta P = 1 bar)
PE max 11	16 bar
Housing	PA66



Item

Identification	Port P + A	Port B	Port C	Port D	Port E	Size
K- 07 25 22 46	G 3/8 i	G 1/2 i	G 3/8 i	G 1/4 i	G 3/8 i	2
K- 07 25 22 47	G 1/2 i	G 1/2 i	G 3/8 i	G 1/4 i	G 3/8 i	2