

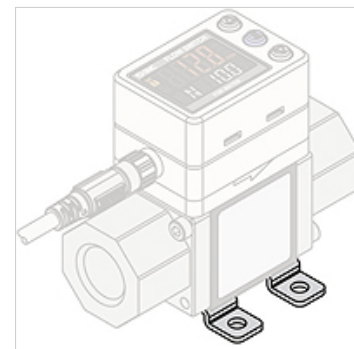
K-BEFESTIGUNGSELEMENTE PF3W

mounting element PF3W

Properties

Series PF3W

More information Accessories for Digital Flow Switch PF3W



Description

Mount, for PF3W704/720, including 4 self-tapping screws (3 x 8)

Item

| Identification | Design | Designation |
|----------------|-------------------------------------|----------------------------------|
| K- 07 60 00 26 | including 4-tapping screws (3 x 8) | Mounting element for PF3W704/720 |
| K- 07 60 00 27 | including 4-tapping screws (3 x 8) | Mounting element for PF3W740 |
| K- 07 60 00 28 | including 4-tapping screws (4 x 10) | Mounting element for PF3W711 |