

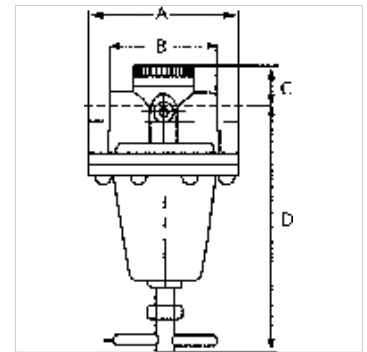
K-KONSTANT DRUCKREGLER STANDARD 2

Constant-pressure regulators

HANSA FLEX

Properties

| | |
|------------------------------|--|
| Input pressure | Max. 25 bar (G 1/4 to G 1/2), Max. 40 bar (G 3/4 to G 1 1/2) |
| Media temperature | max. 60 °C |
| Ambient temperature | Max. 90 °C |
| Sealant | NBR |
| Housing | Die-cast zinc for (G 1/4 to G 1/2), for Brass (G 3/4 to G 1 1/2) |
| Flow rate measurement | At P1 = 8 bar, P2 = 6 bar and pressure drop $\Delta p = 1$ bar |
| More information | User manual on request |



Description

Reversible diaphragm pressure regulators, independent of inlet pressure, with self-relieving design. The pressure regulators maintain a constant working pressure regardless of variations in the inlet pressure.

Item

| Identification | Thread | Control range | Flow rate (L/min) | A (mm) | B | C (mm) | D (mm) | DN |
|----------------|---------|---------------|-------------------|--------|----------|--------|--------|----|
| K- 07 25 03 98 | G 3/4 | 0.5 - 3 bar | 8700 | 116,0 | 93.0 mm | 43,0 | 177,0 | 20 |
| K- 07 25 03 99 | G 3/4 | 0.5 - 6 bar | 8200 | 116,0 | 93.0 mm | 43,0 | 177,0 | 20 |
| K- 07 25 04 00 | G 3/4 | 0.5 - 10 bar | 7830 | 116,0 | 93.0 mm | 43,0 | 177,0 | 20 |
| K- 07 25 04 01 | G 3/4 | 0.5 - 16 bar | 7400 | 116,0 | 93.0 mm | 43,0 | 172,0 | 20 |
| K- 07 25 04 02 | G 3/4 | 0.5 - 25 bar | 6500 | 116,0 | 93.0 mm | 43,0 | 172,0 | 20 |
| K- 07 25 04 03 | G 1 | 0.5 - 3 bar | 8700 | 116,0 | 81.0 mm | 43,0 | 177,0 | 20 |
| K- 07 25 04 04 | G 1 | 0.5 - 6 bar | 8200 | 116,0 | 81.0 mm | 43,0 | 177,0 | 20 |
| K- 07 25 04 05 | G 1 | 0.5 - 10 bar | 7830 | 116,0 | 81.0 mm | 43,0 | 177,0 | 20 |
| K- 07 25 04 06 | G 1 | 0.5 - 16 bar | 7400 | 116,0 | 81.0 mm | 43,0 | 172,0 | 20 |
| K- 07 25 04 07 | G 1 | 0.5 - 25 bar | 6500 | 116,0 | 81.0 mm | 43,0 | 172,0 | 20 |
| K- 07 25 04 08 | G 1 1/4 | 0.5 - 3 bar | 16000 | 114,0 | 126.0 mm | 48,0 | 189,0 | 25 |
| K- 07 25 04 09 | G 1 1/4 | 0.5 - 6 bar | 14000 | 114,0 | 126.0 mm | 48,0 | 189,0 | 25 |
| K- 07 25 04 10 | G 1 1/4 | 0.5 - 10 bar | 12160 | 114,0 | 126.0 mm | 48,0 | 189,0 | 25 |
| K- 07 25 04 11 | G 1 1/4 | 0.5 - 16 bar | 11000 | 114,0 | 126.0 mm | 48,0 | 184,0 | 25 |
| K- 07 25 04 12 | G 1 1/4 | 0.5 - 25 bar | 8500 | 114,0 | 126.0 mm | 48,0 | 184,0 | 25 |
| K- 07 25 04 13 | G 1 1/2 | 0.5 - 3 bar | 16000 | 114,0 | 114.0 mm | 48,0 | 189,0 | 25 |
| K- 07 25 04 14 | G 1 1/2 | 0.5 - 6 bar | 14000 | 114,0 | 114.0 mm | 48,0 | 189,0 | 25 |
| K- 07 25 04 15 | G 1 1/2 | 0.5 - 10 bar | 12160 | 114,0 | 114.0 mm | 48,0 | 189,0 | 25 |
| K- 07 25 04 16 | G 1 1/2 | 0.5 - 16 bar | 11000 | 114,0 | 114.0 mm | 48,0 | 184,0 | 25 |
| K- 07 25 04 17 | G 1 1/2 | 0.5 - 25 bar | 8500 | 114,0 | 114.0 mm | 48,0 | 184,0 | 25 |

Spare parts

| | |
|--------------------------|--------------------------------------|
| K-HALTERBAUSATZ STANDARD | Holder |
| K-VERSCHLEI-SATZ | Set of wearing parts |
| K-RD NIPPEL KURZ 1 | Reducing nipples, short type |
| K-XV AGM 2 | Double nipples, parallel male thread |