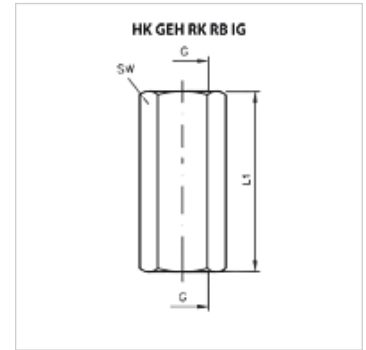


HK GEH RK RB IG

Housing for non return valve RK/RB

Properties

Material	Galvanised steel
Operating pressure	max. 700 bar



Item

Identification	G	L1 (mm)	AF (mm)	Weight (kg)
HK GEH RKRB 0 IG	G 1/8"	28,0	14	0,02
HK GEH RKRB 1 IG	G 1/4"	43,0	19	0,05
HK GEH RKRB 2 IG	G 3/8"	44,0	22	0,07
HK GEH RKRB 3 IG	G 1/2"	56,0	27	0,11
HK GEH RKRB 4 IG	G 3/4"	65,0	36	0,26

Accessories

HK RB	Non return valve RB
HK RK	Non return valve RK