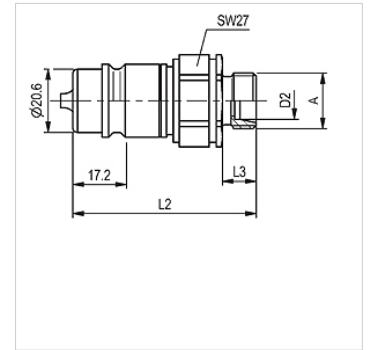


# SKS HL AGRAR

Plug-in coupling connector

## Properties

<b>Application</b>	Agricultural technology Industry
<b>Connection 1</b>	metric cylindrical outer thread
<b>Sealing form 1</b>	24° inner cone
<b>Standard</b>	complies with ISO 7241 series A
<b>Operating pressure</b>	max. 250 bar
<b>Volumetric flow</b>	max. 240 l/min, in combination with SKS Agrar
<b>Temp. range</b>	-30 °C to +100 °C
<b>Material</b>	Steel
<b>Surface</b>	electro galvanised



## Note

With standard threaded connections in determining the operating pressure of the maximum rated pressure is taken into account.

## Description

The consistent refinement of this plug fulfils the extreme requirements demanded in practice.

## Item

Identification	DN*	Series	for external pipe $\varnothing$ (mm)	Connecting thread	L1 (mm)	L2 (mm)	Size	SF coup.*	Weight (kg)
SKS 10 HL 3 AGRAR	10	L	12	M 18x1,5	60,0	11,0	3	4	0,109
SKS 13 HL 3 AGRAR	12	L	15	M 22x1,5	61,0	12,0	3	4	0,117
SKS 16 HL 3 AGRAR	16	L	18	M 26x1,5	61,0	12,0	3	4	0,119

DN = Nominal diameter, nominal width – SF gek. = Safety factor coupled

## Accessories

**SKS ZUBS** Dust protection coupling connector, SKS..