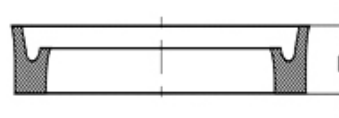
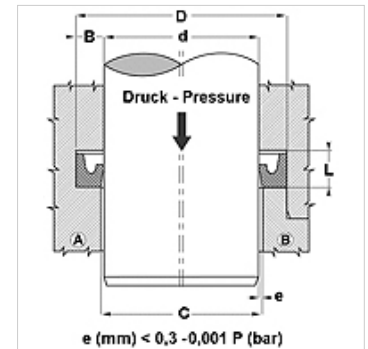


## Properties

<b>Design</b>	Rod U-ring
<b>Operating pressure</b>	up to 120 bar
<b>Sliding speed max.</b>	0,5 m/s
<b>Design</b>	Inches
<b>Temp. min.</b>	-30 °C
<b>Temp. max.</b>	100 °C
<b>Media</b>	Mineral oils Water-air
<b>Installation</b>	in closed grooves A in open grooves B
<b>Material</b>	NBR 90° Shore A
<b>Application</b>	Hydraulics + pneumatics



Toleranz / Tolerance		
d	D	L
H8 / f7	H9	+0,5 0



## Note

Dimensions see page Rod seals ...

## Description

Low-friction seal.  
Simple solution.

## Ordering information

Other sizes on request  
We are able to produce seals with diameters of 20 to 510 mm with short lead times.

## Item

Identification	d (mm)	D (mm)	L (mm)	H (mm)
DDI 18	4,76	11,11	5,5	3,96