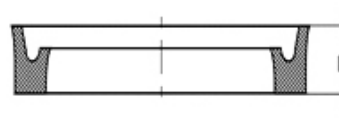
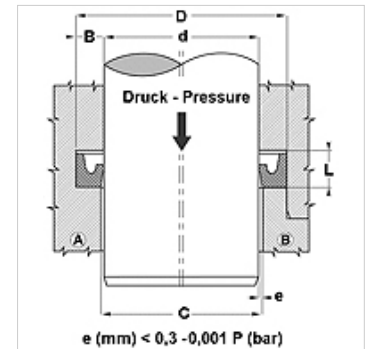


Properties

Design	Rod U-ring
Operating pressure	up to 120 bar
Sliding speed max.	0,5 m/s
Design	Metric
Temp. min.	-30 °C
Temp. max.	100 °C
Media	Mineral oils Water-air
Installation	in closed grooves A in open grooves B
Material	NBR 90° Shore A
Application	Hydraulics + pneumatics



Toleranz / Tolerance		
d	D	L
H8 / f7	H9	+0,5 0



Note

Dimensions see page Rod seals ...

Description

Low-friction seal.
Simple solution.

Ordering information

Other sizes on request

Item

Identification	D (mm)	d (mm)	L (mm)	H (mm)
DDIM 6 12	12	6	4,5	4,0

Product versions

DDIM P Rod seal DDIM-P, PUR 90° Shore A