

DDE

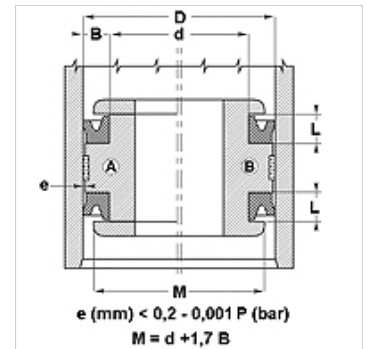
Piston seal, DDE

Properties

Design	Piston U-ring
Operating pressure	up to 80 bar
Sliding speed max.	0,5 m/s
Design	Inches
Temp. min.	-30 °C
Temp. max.	100 °C
Media	Mineral oils Water-air
Installation	on one-piece pistons A on multi-part pistons B
Material	NBR 75° Shore A
Application	Hydraulics + pneumatics



Toleranz / Tolerance		
D	d	L
H9 / e8	h9	+0,50 0



Note

Dimensions, see under chapter Hydraulics / Piston seals

Description

Low-friction seal.

Simple solution.

Ordering information

We are able to produce seals with diameters of 20 to 510 mm with short lead times.

Item

Identification	D (mm)	d (mm)	L (mm)	H (mm)
DDE 50	13,00	6,70	6,30	4,76