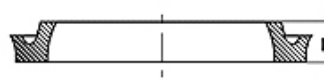
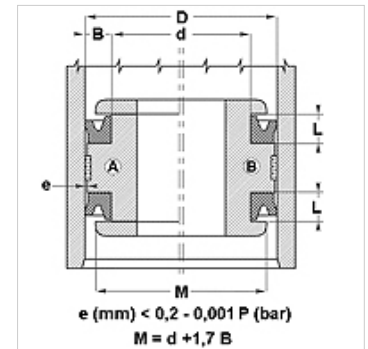


Properties

| | |
|---------------------------|---|
| Design | Piston U-ring |
| Operating pressure | up to 80 bar |
| Sliding speed max. | 0,5 m/s |
| Design | Metric |
| Temp. min. | -30 °C |
| Temp. max. | 100 °C |
| Media | Mineral oils Water-air |
| Installation | on one-piece pistons A on multi-part pistons B |
| Material | NBR 75° Shore A |
| Application | Hydraulics + pneumatics |



| Toleranz / Tolerance | | |
|----------------------|----|------------|
| D | d | L |
| H9 / e8 | h9 | +0,50 0 |



Note

Dimensions, see under chapter Hydraulics / Piston seals

Description

Low-friction seal.

Simple solution.

Ordering information

We are able to produce seals with diameters of 20 to 510 mm with short lead times.

Item

| Identification | D (mm) | d (mm) | L (mm) | H (mm) |
|----------------|-----------|-----------|-----------|-----------|
| DDEM 12 06 | 12,0 | 6,00 | 4,5 | 4,00 |