

DDEM P

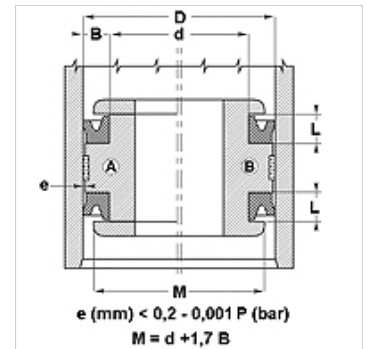
Piston seal, DDEM-P

Properties

Design	Piston U-ring
Operating pressure	up to 16 bar
Sliding speed max.	1,0 m/s
Design	Metric
Temp. min.	-30 °C
Temp. max.	80 °C
Media	Air
Installation	on one-piece pistons A on multi-part pistons B
Material	PUR 90° Shore A
Application	Hydraulics + pneumatics



Toleranz / Tolerance		
D	d	L
H9 / e8	h9	+0,50 0



Note

Dimensions, see under chapter Hydraulics / Piston seals

Description

Low-friction seal.
Simple solution.

Ordering information

We are able to produce seals with diameters of 20 to 510 mm with short lead times.

Item

Identification	D (mm)	d (mm)	L (mm)
DDEM 20 14-P	20	14	4,5