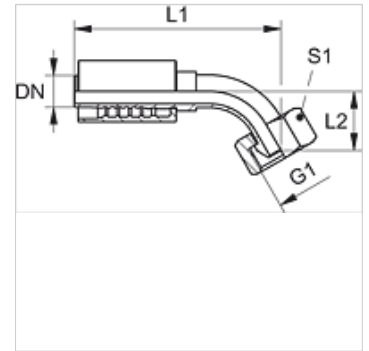


PA 700 AB 45 PLUS

Properties

Application	Swage fitting for HD 700 hoses
Connection 1	BSP nut thread
Sealing form 1	60° outer cone
Short code	DKR
Standard	ISO 8434-6 BS 5200
Integration	with pull-out protection (interlock)
Scope of supply	Swage nipple + swage ferrule
Material	Steel
Surface	electro galvanised



Item

Identification	DN	Size	Inches	G1	L1 (mm)	L2 (mm)	S1
PA 750 AB 45 PLUS	51	32	2"	G 2" -11	251,5	62,5	70