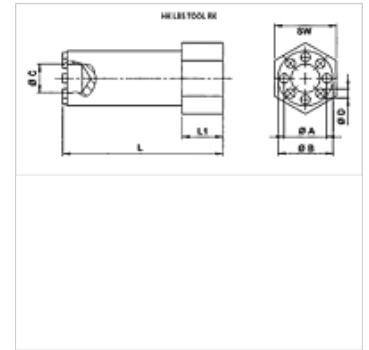
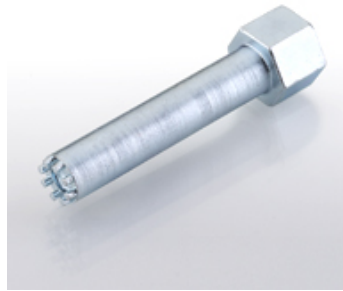


HK LBS TOOL RK

Tool for line break safety valves

Properties

Surface	galvanised
use	for valve type HK RK
Material	Steel



Note

For applications with greater shocks and vibration the valve must be secured with Loctite when screwing.

Description

With this tool line break safety valves can be screwed into the corresponding housing.

Item

Identification	L (mm)	L1 (mm)	Ø A (mm)	Ø B (mm)	Ø C (mm)	Ø D (mm)	AF (mm)	Weight (kg)
HK LBS TOOL RK 0 1/8	70,0	13	6,9	8,4	4,0	1,4	17	0,04
HK LBS TOOL RK 1 1/4	70,0	13	8,9	11,3	6,8	1,8	17	0,06
HK LBS TOOL RK 2 3/8	70,0	13	11,1	14,8	6,8	2,8	17	0,08
HK LBS TOOL RK 3 1/2	70,0	18	14,3	18,5	8,7	3,2	27	0,17
HK LBS TOOL RK 4 3/4	70,0	18	18,6	24,0	12,5	4,1	27	0,24

Accessory for following products

HK RK	Non return valve RK
-------	---------------------