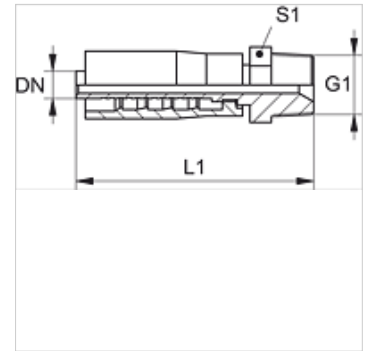


Properties

Connection 1	NPT external threads
Sealing form 1	thread seal, additional 60° inner cone.
Short code	AGN
Scope of supply	Swage nipple + swage ferrule
Material	Steel
Surface	electro galvanised



Item							
Identification	DN	Size	Inches	G1	L1 (mm)	S1	
PAY 506 HN	6	4	1/4"	1/4" -18 NPT	61,5	15	
PAY 506 HN 10	6	4	1/4"	3/8" -18 NPT	65,1	19	
PAY 508 HN 10	8	5	5/16"	3/8" -18 NPT	68,0	19	
PAY 510 HN	-	-	-	-	72,1	19	
PAY 513 HN	12	8	1/2"	1/2" -14 NPT	84,5	24	
PAY 520 HN	19	12	3/4"	3/4" -14 NPT	95,5	27	
PAY 525 HN	25	16	1"	1" -11.5 NPT	106,0	36	