

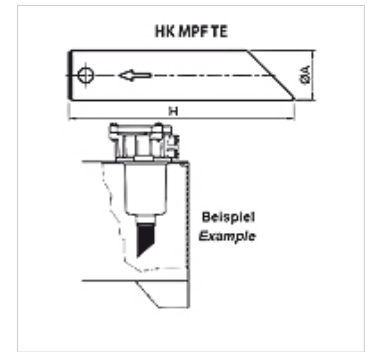
FI RL RVL

Tube extension for return flow filter

Properties

Material Polyamide

Use For return flow filter FI RL



Description

For extending the filter outlet from return-flow filters in the tank
reduction of swirling of the returning oil
Can be individually shortened

Item

Identification	for filter type	Ø A (mm)	H (mm)	Weight (kg)
FI RL RVL 25 300	FI RL 024, 048	25	300	0,2
FI RL RVL 32 500	FI RL 053, 064, 086, 110, 150	32	500	0,4
FI RL RVL 40 300	FI RL 125, 225	40	300	0,6
FI RL RVL 40 500	FI RL 180, 230	40	500	0,8

Accessory for following products

FI RL Return flow filters

FI RL GEH Housing for return flow filter