

HK VA PIS M

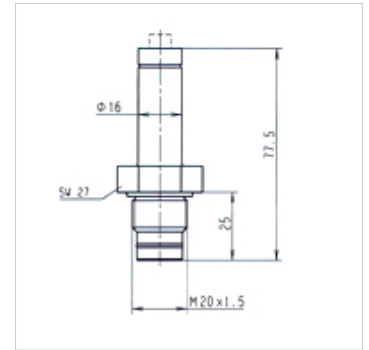
Clogging indicator mechanical

HANSA FLEX

Properties

Connection M 20x1.5

Use For pressure filters FI MD 315, FI HD 400



Description

Clogging display, mechanical version, for pressure filters

Item

Identification	Type	Switching point (bar)	Weight (kg)
HK VA PIS 3095 5 M	optical	5,0	0,10

Accessory for following products

FI MD 315	Medium pressure filter 315 bar
FI MD GEH	High pressure filter 400bar
FI HD 400	High pressure filter 400bar
FI HD GEH	High pressure filter 400bar