

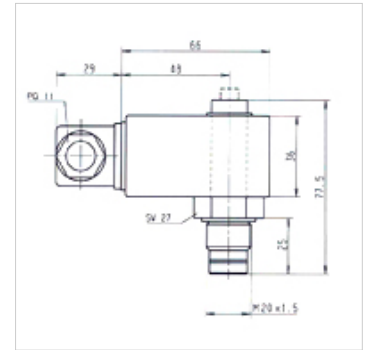
HK VA PIS EL

Clogging indicator electrical

Properties

Connection M 20x1.5

Use For pressure filters FI MD 315, FI HD 400



Note

The switching function can be changed (opener or closer) by replugging the electrical switching unit through 180°. The unit status is set as opener at the factory.

Description

Clogging display, electrical version, for pressure filters

Item

Identification	Type	Switching point (bar)	Weight (kg)
HK VA PIS 3092 5 EL	elektrical, max. 250VAC	5,0	0,25

Accessory for following products

FI MD 315	Medium pressure filter 315 bar
FI MD GEH	High pressure filter 400bar
FI HD 400	High pressure filter 400bar
FI HD GEH	High pressure filter 400bar