

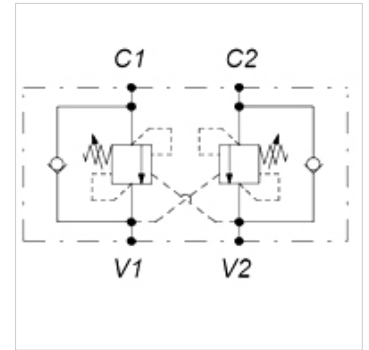
HK 054 2

Counterbalancing valve SC, double-acting

HANSA FLEX

Properties

Design	double-acting Pilot controlled Seat version - leak-free
Material	Housing: Aluminium Inside parts of steel
Operating pressure	max. 350 bar



Note

Max. load pressure 250 bar

Item

Identification	Thread	Pressure setting range bar	Q max. (L/min)	Level control ratio	A (mm)	B (mm)	C (mm)	D (mm)	E (mm)	F (mm)	H (mm)	Weight (kg)
HK 054 247 100 220	G 3/8"	60 - 210	40	1:2.92	204	30	60	124	69	26	34	0,83
HK 054 247 100 235	G 3/8"	120 - 350	40	1:2.92	204	30	60	124	69	26	34	0,83
HK 054 201 030 320	G 1/2"	60 - 210	120	1:8.2	265	35	70	145	80	32	36	1,41
HK 054 201 030 335	G 1/2"	120 - 350	120	1:8.2	265	35	70	145	80	32	36	1,41
HK 054 201 030 435	G 3/4"	120 - 350	140	1:8.2	295	40	90	175	107	38	50	1,51