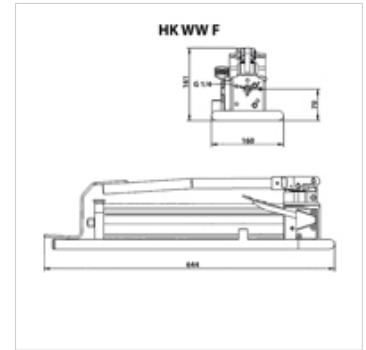


HK WW F

Foot pump 700 bar

Properties

Design	internal pressure control valve
Operating pressure	max. 700 bar
Connections	3/8" Female NPT
Material	Aluminium housing
Scope of supply	Including manometer



Note

Attention: Please observe separate safety precautions for working with 700 bar equipment (see technical information)!

Description

The use of 2-stage pumps is recommended for cylinders with large oil volumes.
Hand lever can be used as carrying handle after locking.

Item

Identification	useful oil volume (cc)	Levels	Volume level 1 max. (cc)	Volume level 2 max. (cc)	Pressure level 1 max. (bar)	Pressure level 2 max. (bar)	Weight (kg)
HK WW WF2	900,0	2	17,0	1,7	20	700	10,0

Accessories

NY 2100	Thermoplastic extreme pressure hose
GKS	Rubber antikink protection
PNY 2100 HN	Swage nipple, AGN
PHY 2100	Swage ferrule, NY 2100
SKL HN SP	Screwed coupling, loose half
SKL ZUBS SP	Dust protection for SKL...SP
SKF IN SP	Screwed coupling fixed half
SKF ZUBS SP	Dust protection for SKF...SP