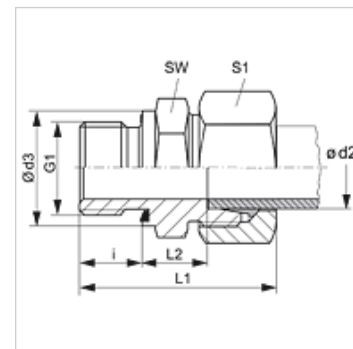


### Características

|                             |                                                  |
|-----------------------------|--------------------------------------------------|
| Conexión 1                  | Rosca exterior métrica, cilíndrica               |
| Forma de obturación 1       | Forma E                                          |
| Conexión 2                  | Rosca exterior métrica, cilíndrica               |
| Forma de obturación 2       | Cono interior de 24°                             |
| Construcción                | Racor de rosca macho                             |
| Forma constructiva          | recto                                            |
| Norma                       | DIN 2353<br>ISO 8434-1                           |
| Volumen de suministro       | Tubuladura con tuerca de racor y anillo cortante |
| Material                    | Acero                                            |
| Protección de la superficie | con revestimiento galvanizado                    |



### Nota

Para obtener información acerca del montaje, la instalación, la carga de presión y las temperaturas de servicio admisibles, consulte la Información técnica de los racores de tubo.

### Artículo

| Denominación      | Serie | Presión de servicio en bar | Ø d2 (mm) | G1         | Ø d3 (mm) | i (mm) | L1 (mm) | L2 (mm) | SW (mm) | S1 |
|-------------------|-------|----------------------------|-----------|------------|-----------|--------|---------|---------|---------|----|
| VM NW 04 HL ED    | L     | PN 315                     | 6         | M 10 x 1   | 14,0      | 8      | 31,0    | 8,5     | 14      | 14 |
| VM NW 04 HL 12 ED | L     | PN 315                     | 6         | M 12 x 1,5 | 17,0      | 12     | 36,5    | 8,5     | 17      | 14 |
| VM NW 06 HL ED    | L     | PN 315                     | 8         | M 12 x 1,5 | 17,0      | 12     | 37,0    | 10,0    | 17      | 17 |
| VM NW 06 HL 16 ED | L     | PN 315                     | 8         | M 16 x 1,5 | 21,7      | 12     | 39,5    | 10,0    | 22      | 17 |
| VM NW 06 HL 18 ED | L     | PN 315                     | 8         | M 18 x 1,5 | 24,0      | 12     | 39,5    | 10,0    | 24      | 17 |
| VM NW 08 HL ED    | L     | PN 315                     | 10        | M 14 x 1,5 | 19,0      | 12     | 38,0    | 11,0    | 19      | 19 |
| VM NW 08 HL 12 ED | L     | PN 315                     | 10        | M 12 x 1,5 | 17,0      | 12     | 40,5    | 11,0    | 17      | 19 |
| VM NW 08 HL 16 ED | L     | PN 315                     | 10        | M 16 x 1,5 | 21,7      | 12     | 38,0    | 12,5    | 22      | 19 |
| VM NW 08 HL 18 ED | L     | PN 315                     | 10        | M 18 x 1,5 | 23,7      | 12     | 42,0    | 12,5    | 24      | 19 |
| VM NW 08 HL 22 ED | L     | PN 315                     | 10        | M 22 x 1,5 | 27,0      | 14     | 44,0    | 12,5    | 27      | 19 |
| VM NW 10 HL 14 ED | L     | PN 315                     | 12        | M 14 x 1,5 | 19,0      | 12     | 40,0    | 11,0    | 19      | 22 |
| VM NW 10 HL ED    | L     | PN 315                     | 12        | M 16 x 1,5 | 21,7      | 12     | 39,0    | 12,5    | 22      | 22 |
| VM NW 10 HL 18 ED | L     | PN 315                     | 12        | M 18 x 1,5 | 23,7      | 12     | 42,0    | 17,0    | 24      | 22 |
| VM NW 10 HL 22 ED | L     | PN 315                     | 12        | M 22 x 1,5 | 27,0      | 14     | 46,0    | 14,0    | 27      | 22 |
| VM NW 13 HL 16 ED | L     | PN 315                     | 15        | M 16 x 1,5 | 22,0      | 12     | 44,0    | 13,0    | 24      | 27 |
| VM NW 13 HL ED    | L     | PN 315                     | 15        | M 18 x 1,5 | 23,7      | 12     | 41,0    | 13,5    | 24      | 27 |
| VM NW 13 HL 22 ED | L     | PN 315                     | 15        | M 22 x 1,5 | 27,0      | 14     | 47,0    | 14,5    | 27      | 27 |
| VM NW 16 HL 18 ED | L     | PN 315                     | 18        | M 18 x 1,5 | 24,0      | 12     | 45,0    | 14,0    | 27      | 32 |
| VM NW 16 HL ED    | L     | PN 315                     | 18        | M 22 x 1,5 | 27,0      | 14     | 45,0    | 14,5    | 27      | 32 |
| VM NW 20 HL 22 ED | L     | PN 160                     | 22        | M 22 x 1,5 | 32,0      | 14     | 47,0    | 16,5    | 32      | 36 |
| VM NW 20 HL ED    | L     | PN 160                     | 22        | M 26 x 1,5 | 31,7      | 16     | 49,0    | 16,5    | 32      | 36 |
| VM NW 25 HL ED    | L     | PN 160                     | 28        | M 33 x 2   | 39,7      | 18     | 52,0    | 17,5    | 41      | 41 |
| VM NW 32 HL ED    | L     | PN 160                     | 35        | M 42 x 2   | 49,7      | 20     | 59,0    | 17,5    | 50      | 50 |
| VM NW 40 HL ED    | L     | PN 160                     | 42        | M 48 x 2   | 55,0      | 22     | 64,0    | 19,0    | 55      | 60 |
| VM NW 03 HS ED    | S     | PN 630                     | 6         | M 12 x 1,5 | 17,0      | 12     | 40,0    | 13,0    | 17      | 17 |
| VM NW 04 HS ED    | S     | PN 630                     | 8         | M 14 x 1,5 | 19,0      | 12     | 42,0    | 15,0    | 19      | 19 |
| VM NW 06 HS ED    | S     | PN 630                     | 10        | M 16 x 1,5 | 21,7      | 12     | 43,0    | 15,0    | 22      | 22 |
| VM NW 08 HS ED    | S     | PN 630                     | 12        | M 18 x 1,5 | 23,7      | 12     | 45,0    | 17,0    | 24      | 24 |
| VM NW 08 HS 22 ED | S     | PN 630                     | 12        | M 22 x 1,5 | 27,0      | 14     | 48,0    | 17,5    | 27      | 24 |
| VM NW 10 HS ED    | S     | PN 630                     | 14        | M 20 x 1,5 | 25,7      | 14     | 53,0    | 19,0    | 27      | 27 |
| VM NW 13 HS 18 ED | S     | PN 630                     | 16        | M 18 x 1,5 | 24,0      | 12     | 48,5    | 18,0    | 27      | 30 |
| VM NW 13 HS ED    | S     | PN 400                     | 16        | M 22 x 1,5 | 27,0      | 14     | 51,0    | 18,5    | 27      | 30 |
| VM NW 16 HS ED    | S     | PN 400                     | 20        | M 27 x 2   | 32,0      | 16     | 53,0    | 20,5    | 32      | 36 |
| VM NW 20 HS ED    | S     | PN 400                     | 25        | M 33 x 2   | 39,7      | 18     | 65,0    | 23,0    | 41      | 46 |
| VM NW 25 HS ED    | S     | PN 400                     | 30        | M 42 x 2   | 49,7      | 20     | 70,0    | 23,5    | 50      | 50 |
| VM NW 32 HS ED    | S     | PN 315                     | 38        | M 48 x 2   | 55,0      | 22     | 79,0    | 26,0    | 55      | 60 |

Serie: LL = muy ligero L = ligero S = pesado - PN = presión nominal PB = presión de servicio máx. - Ø d2 = diámetro exterior del tubo

### Variantes de producto

VM ED VA Racor de rosca macho, Acero fino



## Piezas de repuesto

WD Junta blanda para racores ED