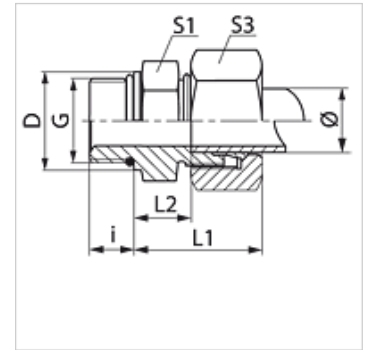


Características

| | |
|------------------------------------|--|
| Conexión 1 | Rosca exterior métrica, cilíndrica |
| Forma de obturación 1 | Forma F |
| Conexión 2 | Rosca exterior métrica, cilíndrica |
| Forma de obturación 2 | Cono interior de 24° |
| Construcción | Racor de rosca macho |
| Forma constructiva | recto |
| Norma | ISO 8434-1 |
| Volumen de suministro | Tubuladura con tuerca de racor y anillo cortante |
| Material | Acero |
| Protección de la superficie | con revestimiento galvanizado |



Nota

Para obtener información acerca del montaje, la instalación, la carga de presión y las temperaturas de servicio admisibles, consulte la Información técnica de los racores de tubo.

Artículo

| Denominación | Serie | Presión de servicio en bar | Ø exterior tubo (mm) | G | D (mm) | i (mm) | L1 (mm) | L2 (mm) | S1 | S3 | OR |
|-----------------|-------|----------------------------|----------------------|------------|--------|--------|---------|---------|----|----|--------------|
| VMO 04 LL | LL | PN 100 | 4 | M 8 x 1 | 10,8 | 6,5 | 19,0 | 9,5 | 11 | 10 | 6,1 x 1,6 |
| VMO 04 LL 10 | LL | PN 100 | 4 | M 10 x 1 | 12,8 | 6,5 | 19,0 | 9,5 | 13 | 10 | 8,0 x 1,5 |
| VMO 06 LL | LL | PN 100 | 6 | M 10 x 1 | 12,8 | 6,5 | 19,5 | 8,0 | 13 | 12 | 8,0 x 1,5 |
| VMO NW 04 HL | L | PN 250 | 6 | M 10 x 1 | 14,0 | 8,0 | 23,0 | 8,5 | 14 | 14 | 8,0 x 1,5 |
| VMO NW 06 HL | L | PN 250 | 8 | M 12 x 1,5 | 17,0 | 12,0 | 25,0 | 10,0 | 17 | 17 | 9,3 x 2,4 |
| VMO NW 08 HL | L | PN 250 | 10 | M 14 x 1,5 | 19,0 | 12,0 | 26,0 | 11,0 | 19 | 19 | 11,3 x 2,4 |
| VMO NW 10 HL | L | PN 250 | 12 | M 16 x 1,5 | 22,0 | 12,0 | 27,0 | 12,5 | 22 | 22 | 13,3 x 2,4 |
| VMO NW 13 HL | L | PN 250 | 15 | M 18 x 1,5 | 24,0 | 12,0 | 29,0 | 13,5 | 24 | 27 | 15,3 x 2,4 |
| VMO NW 16 HL | L | PN 160 | 18 | M 22 x 1,5 | 27,0 | 14,0 | 32,0 | 14,5 | 27 | 32 | 19,3 x 2,4 |
| VMO NW 20 HL | L | PN 160 | 22 | M 26 x 1,5 | 31,0 | 16,0 | 34,0 | 16,5 | 32 | 36 | 23,3 x 2,4 |
| VMO NW 20 HL 27 | L | PN 160 | 22 | M 27 x 2 | 32,0 | 16,0 | 33,0 | 16,5 | 32 | 36 | 23,6 x 2,9 |
| VMO NW 25 HL | L | PN 100 | 28 | M 33 x 2 | 41,0 | 18,0 | 34,0 | 17,5 | 41 | 41 | 29,5 x 3,0 |
| VMO NW 32 HL | L | PN 100 | 35 | M 42 x 2 | 50,0 | 20,0 | 39,0 | 17,5 | 50 | 50 | 38,0 x 3,0 |
| VMO NW 40 HL | L | PN 160 | 42 | M 48 x 2 | 55,0 | 17,5 | 42,0 | 19,0 | 55 | 60 | 44,60 x 3,00 |
| VMO NW 03 HS | S | PN 630 | 6 | M 12 x 1,5 | 17,0 | 12,0 | 28,0 | 13,0 | 17 | 17 | 9,3 x 2,4 |
| VMO NW 04 HS | S | PN 630 | 8 | M 14 x 1,5 | 19,0 | 12,0 | 30,0 | 15,0 | 19 | 19 | 11,3 x 2,4 |
| VMO NW 06 HS | S | PN 630 | 10 | M 16 x 1,5 | 22,0 | 12,0 | 31,0 | 15,0 | 22 | 22 | 13,3 x 2,4 |
| VMO NW 08 HS | S | PN 630 | 12 | M 18 x 1,5 | 24,0 | 12,0 | 33,0 | 17,0 | 24 | 24 | 15,3 x 2,4 |
| VMO NW 13 HS | S | PN 400 | 16 | M 22 x 1,5 | 27,0 | 14,0 | 37,0 | 18,5 | 27 | 30 | 19,3 x 2,4 |
| VMO NW 16 HS | S | PN 400 | 20 | M 27 x 2 | 32,0 | 16,0 | 41,0 | 20,5 | 32 | 36 | 23,5 x 3,0 |
| VMO NW 20 HS | S | PN 400 | 25 | M 33 x 2 | 41,0 | 18,0 | 47,0 | 23,0 | 41 | 46 | 29,5 x 3,0 |
| VMO NW 25 HS | S | PN 250 | 30 | M 42 x 2 | 50,0 | 20,0 | 50,0 | 23,5 | 50 | 50 | 38,0 x 3,0 |
| VMO NW 32 HS | S | PN 315 | 38 | M 48 x 2 | 55,0 | 21,5 | 57,0 | 26,0 | 55 | 60 | 44,6 x 2,9 |

Serie: LL = muy ligero L = ligero S = pesado - PN = presión nominal PB = presión de servicio máx. - Ø = diámetro exterior tubo

Variantes de producto

XVMO