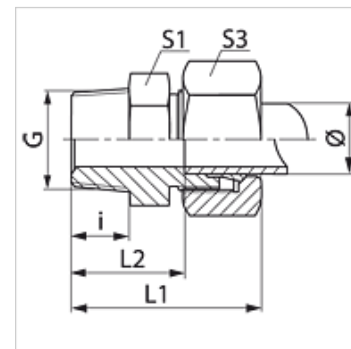


# VN MG

## Racor de rosca macho

### Características

|                       |  |
|-----------------------|--|
| Conexión 1            | Roscas exteriores NPT                            |
| Forma de obturación 1 | obturación de rosca                              |
| Conexión 2            | Rosca exterior métrica, cilíndrica               |
| Forma de obturación 2 | Cono interior de 24°                             |
| Construcción          | Racor de rosca macho                             |
| Forma constructiva    | recto  |
| Norma                 | DIN 2353<br>ISO 8434-1                           |
| Volumen de suministro | Tubuladura con tuerca de racor y anillo cortante |
| Material              | Latón  |



### Nota

Para obtener información acerca del montaje, la instalación, la carga de presión y las temperaturas de servicio admisibles, consulte la Información técnica de los racores de tubo.

### Artículo

| Denominación       | Serie | Presión de servicio en bar | Ø exterior tubo (mm) | G            | i (mm) | L1 (mm) | L2 (mm) | S1 | S3 |
|--------------------|-------|----------------------------|----------------------|--------------|--------|---------|---------|----|----|
| VN 06 LL MG        | LL    | PN 63                      | 6                    | 1/8" -27 NPT | 10,0   | 28,0    | 16,5    | 11 | 12 |
| VN 08 LL MG        | LL    | PN 63                      | 8                    | 1/8" -27 NPT | 10,0   | 30,0    | 18,5    | 12 | 14 |
| VN NW 04 HL MG     | L     | PN 200                     | 6                    | 1/8" -27 NPT | 10,0   | 32,0    | 17,0    | 12 | 14 |
| VN NW 04 HL 1/4 MG | L     | PN 200                     | 6                    | 1/4" -18 NPT | 15,0   | 38,0    | 23,0    | 17 | 14 |
| VN NW 04 HL 1/2 MG | L     | PN 200                     | 6                    | 1/2" -14 NPT | 20,0   | 44,0    | 29,0    | 24 | 14 |
| VN NW 06 HL MG     | L     | PN 200                     | 8                    | 1/4" -18 NPT | 15,0   | 38,0    | 23,0    | 17 | 17 |
| VN NW 08 HL MG     | L     | PN 200                     | 10                   | 1/4" -18 NPT | 15,0   | 39,0    | 24,0    | 17 | 19 |
| VN NW 10 HL 1/4 MG | L     | PN 200                     | 12                   | 1/4" -18 NPT | 15,0   | 40,0    | 25,0    | 19 | 22 |
| VN NW 10 HL MG     | L     | PN 200                     | 12                   | 3/8" -18 NPT | 15,5   | 40,0    | 25,0    | 19 | 22 |
| VN NW 10 HL 1/2 MG | L     | PN 200                     | 12                   | 1/2" -14 NPT | 20,0   | 45,0    | 30,0    | 24 | 22 |
| VN NW 13 HL MG     | L     | PN 200                     | 15                   | 1/2" -14 NPT | 20,0   | 46,0    | 31,0    | 24 | 27 |
| VN NW 16 HL MG     | L     | PN 200                     | 18                   | 1/2" -14 NPT | 20,0   | 48,0    | 31,5    | 27 | 32 |
| VN NW 20 HL MG     | L     | PN 100                     | 22                   | 3/4" -14 NPT | 20,0   | 50,0    | 33,5    | 32 | 36 |
| VN NW 25 HL MG     | L     | PN 100                     | 28                   | 1" -11,5 NPT | 25,0   | 56,0    | 39,5    | 41 | 41 |
| VN NW 03 HS MG     | S     | PN 400                     | 6                    | 1/4" -18 NPT | 15,0   | 43,0    | 28,0    | 17 | 17 |
| VN NW 04 HS MG     | S     | PN 400                     | 8                    | 1/4" -18 NPT | 15,0   | 43,0    | 28,0    | 17 | 19 |
| VN NW 04 HS 1/2 MG | S     | PN 400                     | 8                    | 1/2" -14 NPT | 19,5   | 50,0    | 35,0    | 22 | 19 |
| VN NW 06 HS MG     | S     | PN 400                     | 10                   | 3/8" -18 NPT | 15,5   | 44,0    | 27,5    | 19 | 22 |
| VN NW 06 HS 1/2 MG | S     | PN 400                     | 10                   | 1/2" -14 NPT | 20,0   | 51,0    | 34,5    | 24 | 22 |
| VN NW 08 HS MG     | S     | PN 400                     | 12                   | 3/8" -18 NPT | 15,5   | 46,0    | 29,5    | 22 | 24 |
| VN NW 08 HS 1/2 MG | S     | PN 400                     | 12                   | 1/2" -14 NPT | 20,0   | 51,0    | 34,5    | 24 | 24 |
| VN NW 10 HS MG     | S     | PN 400                     | 14                   | 1/2" -14 NPT | 20,0   | 54,0    | 36,0    | 24 | 27 |
| VN NW 13 HS MG     | S     | PN 250                     | 16                   | 1/2" -14 NPT | 20,0   | 54,0    | 35,5    | 27 | 30 |
| VN NW 16 HS MG     | S     | PN 250                     | 20                   | 3/4" -14 NPT | 20,0   | 59,0    | 37,5    | 32 | 36 |

PN = presión nominal PB = presión de servicio máx. - Serie: LL = muy ligero L = ligero S = pesado - Ø = diámetro exterior tubo

### Variantes de producto

|       |                                  |
|-------|----------------------------------|
| VN    | Racor de rosca macho, Acero      |
| VN VA | Racor de rosca macho, Acero fino |