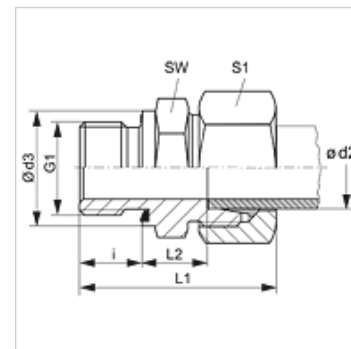


Características

| | |
|-----------------------------|--|
| Conexión 1 | Roscas exteriores BSP cilíndricas |
| Forma de obturación 1 | Forma E |
| Conexión 2 | Rosca exterior métrica, cilíndrica |
| Forma de obturación 2 | Cono interior de 24° |
| Construcción | Racor de rosca macho |
| Forma constructiva | recto |
| Norma | DIN 2353 ISO 8434-1 |
| Volumen de suministro | Tubuladura con tuerca de racor y anillo cortante |
| Material | Acero |
| Protección de la superficie | con revestimiento galvanizado |



Nota

Para obtener información acerca del montaje, la instalación, la carga de presión y las temperaturas de servicio admisibles, consulte la Información técnica de los racores de tubo.

Artículo

| Denominación | Serie | Presión de servicio en bar | Ø d2 (mm) | G1 | Ø d3 (mm) | i (mm) | L1 (mm) | L2 (mm) | SW (mm) | S1 |
|----------------------|-------|----------------------------|-----------|--------------|-----------|--------|---------|---------|---------|----|
| VR 04 LL ED | LL | PN 100 | 4 | G 1/8" -28 | 14,0 | 8 | 28,0 | 9,5 | 14 | 10 |
| VR 06 LL ED | LL | PN 100 | 6 | G 1/8" -28 | 14,0 | 8 | 28,0 | 8,0 | 14 | 12 |
| VR NW 04 HL ED | L | PN 315 | 6 | G 1/8" -28 | 14,0 | 8 | 31,0 | 8,5 | 14 | 14 |
| VR NW 04 HL 1/4 ED | L | PN 315 | 6 | G 1/4" -19 | 18,7 | 12 | 39,0 | 10,0 | 19 | 14 |
| VR NW 04 HL 1/2 ED | L | PN 315 | 6 | G 1/2" -14 | 27,0 | 14 | 43,0 | 12,0 | 27 | 14 |
| VR NW 04 HL 3/8 ED | L | PN 315 | 6 | G 3/8" -19 | 22,0 | 12 | 39,0 | 11,5 | 22 | 14 |
| VR NW 06 HL 1/8 ED | L | PN 315 | 8 | G 1/8" -28 | 14,0 | 8 | 34,0 | 9,5 | 14 | 17 |
| VR NW 06 HL ED | L | PN 315 | 8 | G 1/4" -19 | 18,7 | 12 | 37,0 | 10,0 | 19 | 17 |
| VR NW 06 HL 3/8 ED | L | PN 315 | 8 | G 3/8" -19 | 22,0 | 12 | 40,5 | 11,5 | 22 | 17 |
| VR NW 06 HL 1/2 ED | L | PN 315 | 8 | G 1/2" -14 | 27,0 | 14 | 42,5 | 12,0 | 27 | 14 |
| VR NW 08 HL 1/8 ED | L | PN 315 | 10 | G 1/8" -28 | 14,0 | 8 | 35,5 | 10,5 | 17 | 19 |
| VR NW 08 HL ED | L | PN 315 | 10 | G 1/4" -19 | 18,7 | 12 | 38,0 | 11,0 | 19 | 19 |
| VR NW 08 HL 3/8 ED | L | PN 315 | 10 | G 3/8" -19 | 22,0 | 12 | 42,5 | 12,5 | 22 | 19 |
| VR NW 08 HL 1/2 ED | L | PN 315 | 10 | G 1/2" -14 | 26,7 | 14 | 46,5 | 13,0 | 27 | 19 |
| VR NW 10 HL 1/4 ED | L | PN 315 | 12 | G 1/4" -19 | 18,7 | 12 | 42,0 | 12,5 | 22 | 22 |
| VR NW 10 HL ED | L | PN 315 | 12 | G 3/8" -19 | 22,0 | 12 | 39,0 | 12,5 | 22 | 22 |
| VR NW 10 HL 1/2 ED | L | PN 315 | 12 | G 1/2" -14 | 26,7 | 14 | 45,0 | 13,0 | 27 | 22 |
| VR NW 10 HL 3/4 ED | L | PN 160 | 12 | G 3/4" -14 | 32,0 | 16 | 47,0 | 14,0 | 32 | 22 |
| VR NW 13 HL 3/8 ED | L | PN 315 | 15 | G 3/8" -19 | 22,0 | 12 | 43,0 | 13,6 | 27 | 27 |
| VR NW 13 HL ED | L | PN 315 | 15 | G 1/2" -14 | 26,7 | 14 | 43,0 | 14,0 | 27 | 27 |
| VR NW 13 HL 3/4 ED | L | PN 315 | 15 | G 3/4" -14 | 32,0 | 16 | 48,5 | 15,0 | 32 | 27 |
| VR NW 16 HL 3/8 ED | L | PN 315 | 18 | G 3/8" -19 | 22,0 | 12 | 45,0 | 14,0 | 27 | 32 |
| VR NW 16 HL ED | L | PN 315 | 18 | G 1/2" -14 | 26,7 | 14 | 45,0 | 14,5 | 27 | 32 |
| VR NW 16 HL 3/4 ED | L | PN 315 | 18 | G 3/4" -14 | 32,0 | 16 | 50,0 | 14,5 | 32 | 32 |
| VR NW 20 HL 1/2 ED | L | PN 315 | 22 | G 1/2" -14 | 27,0 | 14 | 51,0 | 16,5 | 32 | 36 |
| VR NW 20 HL ED | L | PN 160 | 22 | G 3/4" -14 | 32,0 | 16 | 49,0 | 16,5 | 32 | 36 |
| VR NW 20 HL 1 ED | L | PN 160 | 22 | G 1" -11 | 40,0 | 18 | 56,0 | 17,5 | 41 | 36 |
| VR NW 25 HL 3/4 ED | L | PN 160 | 28 | G 3/4" -14 | 32,0 | 16 | 54,0 | 17,5 | 41 | 41 |
| VR NW 25 HL ED | L | PN 160 | 28 | G 1" -11 | 39,7 | 18 | 52,0 | 17,5 | 41 | 41 |
| VR NW 25 HL 1 1/4 ED | L | PN 160 | 28 | G 1.1/4" -11 | 60,0 | 20 | 55,0 | 18,5 | 50 | 41 |
| VR NW 32 HL 1 ED | L | PN 160 | 35 | G 1" -11 | 40,0 | 18 | 60,0 | 17,5 | 46 | 50 |
| VR NW 32 HL ED | L | PN 160 | 35 | G 1.1/4" -11 | 49,7 | 20 | 59,0 | 17,5 | 50 | 50 |
| VR NW 40 HL 1 1/4 ED | L | PN 160 | 42 | G 1.1/4" -11 | 50,0 | 20 | 67,0 | 19,0 | 55 | 60 |
| VR NW 40 HL ED | L | PN 160 | 42 | G 1.1/2" -11 | 55,0 | 22 | 69,0 | 19,0 | 55 | 60 |
| VR NW 03 HS ED | S | PN 630 | 6 | G 1/4" -19 | 18,7 | 12 | 40,0 | 13,0 | 19 | 17 |
| VR NW 03 HS 1/2 ED | S | PN 630 | 6 | G 1/2" -14 | 27,0 | 14 | 48,0 | 18,0 | 27 | 17 |
| VR NW 04 HS ED | S | PN 630 | 8 | G 1/4" -19 | 18,7 | 12 | 42,0 | 15,0 | 19 | 19 |
| VR NW 04 HS 3/8 ED | S | PN 630 | 8 | G 3/8" -19 | 22,0 | 12 | 42,5 | 15,5 | 22 | 19 |
| VR NW 06 HS 1/4 ED | S | PN 630 | 10 | G 1/4" -19 | 18,7 | 12 | 42,5 | 14,5 | 22 | 22 |
| VR NW 06 HS ED | S | PN 630 | 10 | G 3/8" -19 | 22,0 | 12 | 43,0 | 15,0 | 22 | 22 |



Artículo

| Denominación | Serie | Presión de servicio en bar | Ø d2 (mm) | G1 | Ø d3 (mm) | i (mm) | L1 (mm) | L2 (mm) | SW (mm) | S1 |
|----------------------|-------|----------------------------|-----------|--------------|-----------|--------|---------|---------|---------|----|
| VR NW 06 HS 1/2 ED | S | PN 630 | 10 | G 1/2" -14 | 26,7 | 14 | 47,0 | 17,5 | 27 | 22 |
| VR NW 08 HS 1/4 ED | S | PN 630 | 12 | G 1/4" -19 | 19,0 | 12 | 45,0 | 16,5 | 22 | 24 |
| VR NW 08 HS ED | S | PN 630 | 12 | G 3/8" -19 | 22,0 | 12 | 45,0 | 17,0 | 22 | 24 |
| VR NW 08 HS 1/2 ED | S | PN 630 | 12 | G 1/2" -14 | 27,0 | 14 | 47,5 | 17,5 | 27 | 24 |
| VR NW 10 HS 3/8 ED | S | PN 630 | 14 | G 3/8" -19 | 22,0 | 12 | 48,0 | 18,5 | 24 | 27 |
| VR NW 10 HS ED | S | PN 630 | 14 | G 1/2" -14 | 26,7 | 14 | 51,0 | 19,0 | 27 | 27 |
| VR NW 10 HS 3/4 ED | S | PN 630 | 14 | G 3/4" -14 | 32,0 | 16 | 55,0 | 21,0 | 32 | 27 |
| VR NW 13 HS 3/8 ED | S | PN 400 | 16 | G 3/8" -19 | 22,0 | 12 | 47,0 | 18,0 | 27 | 30 |
| VR NW 13 HS ED | S | PN 400 | 16 | G 1/2" -14 | 26,7 | 14 | 51,0 | 18,5 | 27 | 30 |
| VR NW 13 HS 3/4 ED | S | PN 400 | 16 | G 3/4" -14 | 32,0 | 16 | 55,0 | 20,5 | 32 | 30 |
| VR NW 16 HS 1/2 ED | S | PN 400 | 20 | G 1/2" -14 | 27,0 | 14 | 56,0 | 20,5 | 32 | 36 |
| VR NW 16 HS ED | S | PN 400 | 20 | G 3/4" -14 | 32,0 | 16 | 58,0 | 20,5 | 32 | 36 |
| VR NW 16 HS 1 ED | S | PN 400 | 20 | G 1" -11 | 39,7 | 18 | 62,0 | 20,5 | 41 | 36 |
| VR NW 20 HS 1/2 ED | S | PN 400 | 25 | G 1/2" -14 | 27,0 | 14 | 61,0 | 23,0 | 41 | 46 |
| VR NW 20 HS 3/4 ED | S | PN 400 | 25 | G 3/4" -14 | 32,0 | 16 | 63,0 | 23,0 | 41 | 46 |
| VR NW 20 HS ED | S | PN 400 | 25 | G 1" -11 | 39,7 | 18 | 65,0 | 23,0 | 41 | 46 |
| VR NW 25 HS ED | S | PN 400 | 30 | G 1.1/4" -11 | 49,7 | 20 | 70,0 | 23,5 | 50 | 50 |
| VR NW 25 HS 1 ED | S | PN 400 | 30 | G 1" -11 | 40,0 | 18 | 68,0 | 23,5 | 46 | 50 |
| VR NW 32 HS 1 1/4 ED | S | PN 315 | 38 | G 1.1/4" -11 | 50,0 | 20 | 74,0 | 26,0 | 55 | 60 |
| VR NW 32 HS ED | S | PN 315 | 38 | G 1.1/2" -11 | 55,0 | 22 | 79,0 | 26,0 | 55 | 60 |

Serie: LL = muy ligero L = ligero S = pesado - PN = presión nominal PB = presión de servicio máx. - Ø d2 = diámetro exterior del tubo

Variantes de producto

| | |
|----------|----------------------------------|
| VR ED MG | Racor de rosca macho, Latón |
| VR ED VA | Racor de rosca macho, Acero fino |
| XVR ED | Racor de rosca macho, Acero |

Piezas de repuesto

| | |
|----|------------------------------|
| WD | Junta blanda para racores ED |
|----|------------------------------|