

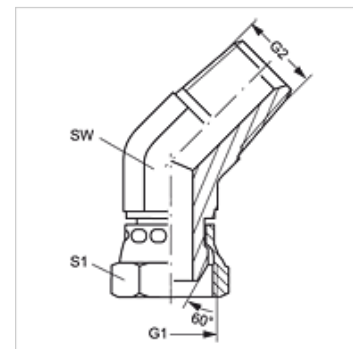
# W45 AN HN

Tubuladura macho, ángulo de 45°

**HANSA FLEX**

## Características

|                             |                               |
|-----------------------------|-------------------------------|
| Conexión 1                  | Roscas de tuerca NPT (NPSM)   |
| Forma de obturación 1       | Cono exterior 60°             |
| Conexión 2                  | Roscas exteriores NPT         |
| Forma de obturación 2       | obturación de rosca           |
| Construcción                | Tubuladura macho              |
| Forma constructiva          | Ángulo de 45°                 |
| Material                    | Acero                         |
| Protección de la superficie | con revestimiento galvanizado |



## Artículo

| Denominación    | G1               | G2               | SW<br>(mm) | S1 |
|-----------------|------------------|------------------|------------|----|
| W45 AN 02 HN    | 1/8" -27 NPT     | 1/8" -27 NPT     | 11         | 14 |
| W45 AN 04 HN    | 1/4" -18 NPT     | 1/4" -18 NPT     | 14         | 18 |
| W45 AN 06 HN    | 3/8" -18 NPT     | 3/8" -18 NPT     | 19         | 22 |
| W45 AN 06 HN 08 | 3/8" -18 NPT     | 1/2" -14 NPT     | 22         | 22 |
| W45 AN 08 HN    | 1/2" -14 NPT     | 1/2" -14 NPT     | 22         | 25 |
| W45 AN 08 HN 12 | 1/2" -14 NPT     | 3/4" -14 NPT     | 27         | 25 |
| W45 AN 12 HN    | 3/4" -14 NPT     | 3/4" -14 NPT     | 27         | 32 |
| W45 AN 12 HN 16 | 3/4" -14 NPT     | 1" -11,5 NPT     | 33         | 32 |
| W45 AN 16 HN 12 | 1" -11,5 NPT     | 3/4" -14 NPT     | 33         | 38 |
| W45 AN 16 HN    | 1" -11,5 NPT     | 1" -11,5 NPT     | 33         | 38 |
| W45 AN 20 HN    | 1.1/4" -11,5 NPT | 1.1/4" -11,5 NPT | 41         | 48 |
| W45 AN 24 HN    | 1.1/2" -11,5 NPT | 1.1/2" -11,5 NPT | 48         | 54 |
| W45 AN 32 HN    | 2" -11,5 NPT     | 2" -11,5 NPT     | 64         | 67 |

SW, S1, S2 = ancho de llave