

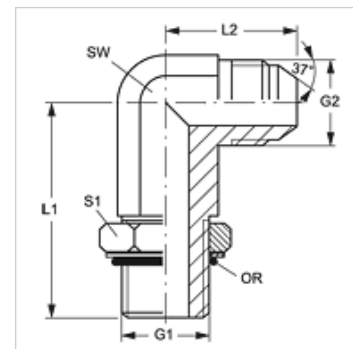
# W90 HRO L HJ

Tubuladura macho larga, ángulo de 90°

**HANSA FLEX**

## Características

|                             |                                   |
|-----------------------------|-----------------------------------|
| Conexión 1                  | Roscas exteriores BSP cilíndricas |
| Forma de obturación 1       | Molde G                           |
| Conexión 2                  | Rosca exterior UN/UNF             |
| Forma de obturación 2       | Cono exterior 74°                 |
| Construcción                | Tubuladura macho larga            |
| Forma constructiva          | Ángulo de 90°                     |
| Material                    | Acero                             |
| Protección de la superficie | con revestimiento galvanizado     |



## Artículo

| Denominación       | G1         | G2             | SW<br>(mm) | L1<br>(mm) | L2<br>(mm) | S1 | OR           |
|--------------------|------------|----------------|------------|------------|------------|----|--------------|
| W90 HRO L 04 HJ 06 | G 1/4" -19 | 9/16" -18 UNF  | 14         | 56,5       | 27,0       | 19 | 8,00 x 2,00  |
| W90 HRO L 04 HJ 08 | G 1/4" -19 | 3/4" -16 UNF   | 19         | 64,0       | 31,5       | 19 | 8,00 x 2,00  |
| W90 HRO L 06 HJ    | G 3/8" -19 | 9/16" -18 UNF  | 19         | 67,0       | 28,5       | 22 | 13,94 x 2,62 |
| W90 HRO L 06 HJ 08 | G 3/8" -19 | 3/4" -16 UNF   | 19         | 67,0       | 31,5       | 22 | 13,94 x 2,62 |
| W90 HRO L 06 HJ 10 | G 3/8" -19 | 7/8" -14 UNF   | 22         | 75,0       | 36,5       | 22 | 17,86 x 2,62 |
| W90 HRO L 08 HJ 06 | G 1/2" -14 | 9/16" -18 UNF  | 22         | 78,0       | 31,0       | 27 | 17,86 x 2,62 |
| W90 HRO L 08 HJ    | G 1/2" -14 | 3/4" -16 UNF   | 22         | 78,0       | 34,0       | 27 | 17,86 x 2,62 |
| W90 HRO L 08 HJ 10 | G 1/2" -14 | 7/8" -14 UNF   | 22         | 78,0       | 36,5       | 27 | 17,86 x 2,62 |
| W90 HRO L 08 HJ 12 | G 1/2" -14 | 1.1/16" -12 UN | 27         | 88,0       | 42,0       | 27 | 17,86 x 2,62 |
| W90 HRO L 12 HJ 10 | G 3/4" -14 | 7/8" -14 UNF   | 27         | 92,0       | 39,5       | 36 | 23,47 x 2,62 |
| W90 HRO L 12 HJ    | G 3/4" -14 | 1.1/16" -12 UN | 27         | 92,0       | 42,0       | 36 | 23,47 x 2,62 |
| W90 HRO L 12 HJ 16 | G 3/4" -14 | 1.5/16" -12 UN | 33         | 105,0      | 46,0       | 36 | 23,47 x 2,62 |
| W90 HRO L 16 HJ 12 | G 1" -11   | 1.1/16" -12 UN | 33         | 105,0      | 44,5       | 41 | 29,74 x 3,53 |
| W90 HRO L 16 HJ    | G 1" -11   | 1.5/16" -12 UN | 33         | 105,0      | 46,0       | 41 | 29,74 x 3,53 |
| W90 HRO L 16 HJ 20 | G 1" -11   | 1.5/8" -12 UN  | 41         | 124,0      | 52,0       | 41 | 29,74 x 3,53 |

SW, S1, S2 = ancho de llave