

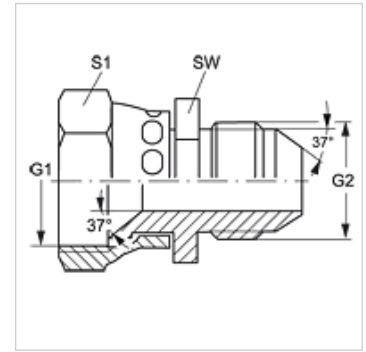
G AJ HJ

Conector

HANSA FLEX

Características

| | |
|-----------------------------|-------------------------------|
| Conexión 1 | Roscas de tuerca UN/UNF |
| Forma de obturación 1 | Cono interior de 74° |
| Conexión 2 | Rosca exterior UN/UNF |
| Forma de obturación 2 | Cono exterior 74° |
| Construcción | Conector |
| Forma constructiva | recto |
| Material | Acero |
| Protección de la superficie | con revestimiento galvanizado |



Artículo

| Denominación | G1 | G2 | SW (mm) | S1 |
|---------------|----------------|----------------|------------|----|
| G AJ 04 HJ | 7/16" -20 UNF | 7/16" -20 UNF | 12 | 17 |
| G AJ 04 HJ 06 | 7/16" -20 UNF | 9/16" -18 UNF | 17 | 17 |
| G AJ 05 HJ 04 | 1/2" -20 UNF | 7/16" -20 UNF | 14 | 17 |
| G AJ 05 HJ | 1/2" -20 UNF | 1/2" -20 UNF | 14 | 17 |
| G AJ 06 HJ 04 | 9/16" -18 UNF | 7/16" -20 UNF | 17 | 17 |
| G AJ 06 HJ 05 | 9/16" -18 UNF | 1/2" -20 UNF | 17 | 19 |
| G AJ 06 HJ | 9/16" -18 UNF | 9/16" -18 UNF | 17 | 19 |
| G AJ 06 HJ 08 | 9/16" -18 UNF | 3/4" -16 UNF | 22 | 19 |
| G AJ 08 HJ 04 | 3/4" -16 UNF | 7/16" -20 UNF | 19 | 22 |
| G AJ 08 HJ 05 | 3/4" -16 UNF | 1/2" -20 UNF | 22 | 22 |
| G AJ 08 HJ 06 | 3/4" -16 UNF | 9/16" -18 UNF | 19 | 22 |
| G AJ 08 HJ | 3/4" -16 UNF | 3/4" -16 UNF | 22 | 24 |
| G AJ 08 HJ 10 | 3/4" -16 UNF | 7/8" -14 UNF | 24 | 24 |
| G AJ 08 HJ 12 | 3/4" -16 UNF | 1.1/16" -12 UN | 24 | 24 |
| G AJ 10 HJ 04 | 7/8" -14 UNF | 7/16" -20 UNF | 19 | 27 |
| G AJ 10 HJ 05 | 7/8" -14 UNF | 1/2" -20 UNF | 19 | 27 |
| G AJ 10 HJ 06 | 7/8" -14 UNF | 9/16" -18 UNF | 24 | 27 |
| G AJ 10 HJ 08 | 7/8" -14 UNF | 3/4" -16 UNF | 22 | 27 |
| G AJ 10 HJ | 7/8" -14 UNF | 7/8" -14 UNF | 24 | 27 |
| G AJ 10 HJ 12 | 7/8" -14 UNF | 1.1/16" -12 UN | 28 | 27 |
| G AJ 12 HJ 04 | 1.1/16" -12 UN | 7/16" -20 UNF | 24 | 32 |
| G AJ 12 HJ 05 | 1.1/16" -12 UN | 1/2" -20 UNF | 24 | 32 |
| G AJ 12 HJ 06 | 1.1/16" -12 UN | 9/16" -18 UNF | 27 | 32 |
| G AJ 12 HJ 08 | 1.1/16" -12 UN | 3/4" -16 UNF | 29 | 32 |
| G AJ 12 HJ 10 | 1.1/16" -12 UN | 7/8" -14 UNF | 27 | 32 |
| G AJ 12 HJ | 1.1/16" -12 UN | 1.1/16" -12 UN | 32 | 32 |
| G AJ 12 HJ 16 | 1.1/16" -12 UN | 1.5/16" -12 UN | 27 | 32 |
| G AJ 14 HJ 12 | 1.3/16" -12 UN | 1.1/16" -12 UN | 32 | 35 |
| G AJ 16 HJ 08 | 1.5/16" -12 UN | 3/4" -16 UNF | 36 | 41 |
| G AJ 16 HJ 10 | 1.5/16" -12 UN | 7/8" -14 UNF | 36 | 41 |
| G AJ 16 HJ 12 | 1.5/16" -12 UN | 1.1/16" -12 UN | 36 | 41 |
| G AJ 16 HJ 14 | 1.5/16" -12 UN | 1.3/16" -12 UN | 36 | 41 |
| G AJ 16 HJ | 1.5/16" -12 UN | 1.5/16" -12 UN | 36 | 41 |
| G AJ 20 HJ 10 | 1.5/8" -12 UN | 7/8" -14 UNF | 46 | 50 |
| G AJ 20 HJ 12 | 1.5/8" -12 UN | 1.1/16" -12 UN | 41 | 41 |
| G AJ 20 HJ 14 | 1.5/8" -12 UN | 1.3/16" -12 UN | 46 | 50 |
| G AJ 20 HJ 16 | 1.5/8" -12 UN | 1.5/16" -12 UN | 46 | 50 |
| G AJ 20 HJ | 1.5/8" -12 UN | 1.5/8" -12 UN | 46 | 50 |
| G AJ 24 HJ 20 | 1.7/8" -12 UN | 1.5/8" -12 UN | 50 | 55 |
| G AJ 24 HJ | 1.7/8" -12 UN | 1.7/8" -12 UN | 50 | 55 |
| G AJ 32 HJ 24 | 2.1/2" -12 UN | 1.7/8" -12 UN | 65 | 70 |

SW, S1, S2 = ancho de llave

Variantes de producto

G AJ HJ VA Conector, Acero fino