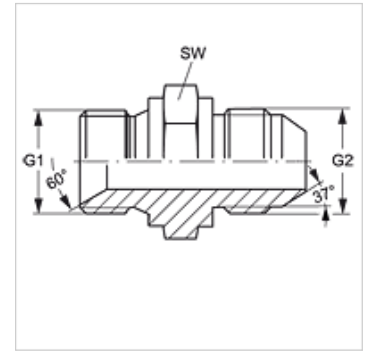


G HB HJ

Tubuladura de unión

Características

| | |
|-----------------------------|-----------------------------------|
| Forma de obturación 1 | Cono interior de 60° |
| Conexión 1 | Roscas exteriores BSP cilíndricas |
| Conexión 2 | Rosca exterior UN/UNF |
| Forma de obturación 2 | Cono exterior 74° |
| Construcción | Tubuladura de unión |
| Forma constructiva | recto |
| Material | Acero |
| Protección de la superficie | con revestimiento galvanizado |



Artículo

| Denominación | G1 | G2 | SW (mm) |
|---------------|--------------|----------------|------------|
| G HB 02 HJ 10 | G 1/8" -28 | 7/8" -14 UNF | 24 |
| G HB 04 HJ 10 | G 1/4" -19 | 7/8" -14 UNF | 24 |
| G HB 08 HJ 05 | G 1/2" -14 | 1/2" -20 UNF | 27 |
| G HB 08 HJ 14 | G 1/2" -14 | 1.3/16" -12 UN | 32 |
| G HB 08 HJ 16 | G 1/2" -14 | 1.5/16" -12 UN | 41 |
| G HB 10 HJ 08 | G 5/8" -14 | 3/4" -16 UNF | 27 |
| G HB 10 HJ | G 5/8" -14 | 7/8" -14 UNF | 27 |
| G HB 10 HJ 12 | G 5/8" -14 | 1.1/16" -12 UN | 32 |
| G HB 10 HJ 16 | G 5/8" -14 | 1.5/16" -12 UN | 41 |
| G HB 12 HJ 06 | G 3/4" -14 | 9/16" -18 UNF | 32 |
| G HB 12 HJ 14 | G 3/4" -14 | 1.3/16" -12 UN | 32 |
| G HB 12 HJ 20 | G 3/4" -14 | 1.5/8" -12 UN | 50 |
| G HB 16 HJ 08 | G 1" -11 | 3/4" -16 UNF | 41 |
| G HB 16 HJ 10 | G 1" -11 | 7/8" -14 UNF | 41 |
| G HB 16 HJ 14 | G 1" -11 | 1.3/16" -12 UN | 41 |
| G HB 20 HJ 12 | G 1.1/4" -11 | 1.1/16" -12 UN | 50 |
| G HB 24 HJ 16 | G 1.1/2" -11 | 1.5/16" -12 UN | 55 |
| G HB 24 HJ 32 | G 1.1/2" -11 | 2.1/2" -12 UN | 60 |
| G HB 32 HJ 24 | G 2" -11 | 1.7/8" -12 UN | 60 |
| G HB 32 HJ | G 2" -11 | 2.1/2" -12 UN | 60 |

SW = ancho de llave