

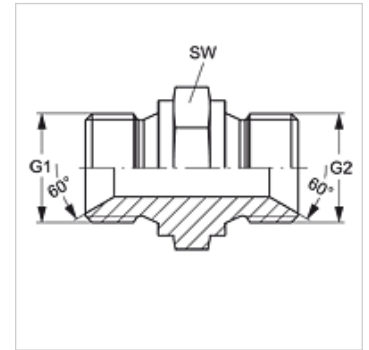
# G HB VA

Tubuladura de unión

**HANSA FLEX**

## Características

Conexión 1	Roscas exteriores BSP cilíndricas
Forma de obturación 1	Cono interior de 60°
Conexión 2	Roscas exteriores BSP cilíndricas
Forma de obturación 2	Cono interior de 60°
Construcción	Tubuladura de unión
Forma constructiva	recto
Material	Acero fino



## Artículo

Denominación	G1	G2	SW (mm)
G HB 02 VA	G 1/8" -28	G 1/8" -28	14
G HB 02 HB 04 VA	G 1/8" -28	G 1/4" -19	19
G HB 02 HB 06 VA	G 1/8" -28	G 3/8" -19	22
G HB 04 VA	G 1/4" -19	G 1/4" -19	19
G HB 04 HB 06 VA	G 1/4" -19	G 3/8" -19	22
G HB 04 HB 08 VA	G 1/4" -19	G 1/2" -14	27
G HB 04 HB 12 VA	G 1/4" -19	G 3/4" -14	32
G HB 06 VA	G 3/8" -19	G 3/8" -19	22
G HB 06 HB 08 VA	G 3/8" -19	G 1/2" -14	27
G HB 06 HB 10 VA	G 3/8" -19	G 5/8" -14	32
G HB 06 HB 12 VA	G 3/8" -19	G 3/4" -14	32
G HB 06 HB 16 VA	G 3/8" -19	G 1" -11	41
G HB 08 VA	G 1/2" -14	G 1/2" -14	27
G HB 08 HB 10 VA	G 1/2" -14	G 5/8" -14	30
G HB 08 HB 12 VA	G 1/2" -14	G 3/4" -14	32
G HB 08 HB 16 VA	G 1/2" -14	G 1" -11	41
G HB 08 HB 20 VA	G 1/2" -14	G 1.1/4" -11	50
G HB 10 VA	G 5/8" -14	G 5/8" -14	30
G HB 10 HB 12 VA	G 5/8" -14	G 3/4" -14	32
G HB 12 VA	G 3/4" -14	G 3/4" -14	32
G HB 12 HB 16 VA	G 3/4" -14	G 1" -11	41
G HB 12 HB 20 VA	G 3/4" -14	G 1.1/4" -11	50
G HB 12 HB 24 VA	G 3/4" -14	G 1.1/2" -11	55
G HB 16 VA	G 1" -11	G 1" -11	41
G HB 16 HB 20 VA	G 1"	G 1.1/4" -11	50
G HB 16 HB 24 VA	G 1" -11	G 1.1/2" -11	55
G HB 16 HB 32 VA	G 1" -11	G 2" -11	70
G HB 20 VA	G 1.1/4" -11	G 1.1/4" -11	50
G HB 20 HB 24 VA	G 1.1/4" -11	G 1.1/2" -11	55
G HB 20 HB 32 VA	G 1.1/4" -11	G 2" -11	70
G HB 24 VA	G 1.1/2" -11	G 1.1/2" -11	55
G HB 24 HB 32 VA	G 1.1/2" -11	G 2" -11	70
G HB 32 VA	G 2" -11	G 2" -11	70

SW = ancho de llave

## Variantes de producto

G HB Tubuladura de unión, Acero