

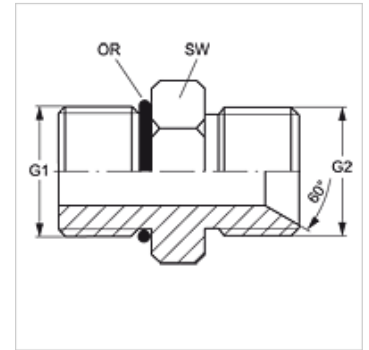
# GE HRO HB

Tubuladura macho

**HANSA FLEX**

## Características

|                             |                                   |
|-----------------------------|-----------------------------------|
| Conexión 1                  | Roscas exteriores BSP cilíndricas |
| Forma de obturación 1       | Molde G                           |
| Conexión 2                  | Roscas exteriores BSP cilíndricas |
| Forma de obturación 2       | Cono interior de 60°              |
| Construcción                | Tubuladura macho                  |
| Forma constructiva          | recto                             |
| Material                    | Acero                             |
| Protección de la superficie | con revestimiento galvanizado     |



## Artículo

| Denominación    | G1           | G2           | SW<br>(mm) | OR           |
|-----------------|--------------|--------------|------------|--------------|
| GE HRO 02 HB    | G 1/8" -28   | G 1/8" -28   | 20         | 7,65 x 1,78  |
| GE HRO 04 HB 02 | G 1/4" -19   | G 1/8" -28   | 20         | 10,78 x 2,62 |
| GE HRO 04 HB    | G 1/4" -19   | G 1/4" -19   | 20         | 10,78 x 2,62 |
| GE HRO 04 HB 06 | G 1/4" -19   | G 3/8" -19   | 24         | 10,78 x 2,62 |
| GE HRO 06 HB 04 | G 3/8" -19   | G 1/4" -19   | 24         | 13,94 x 2,62 |
| GE HRO 06 HB    | G 3/8" -19   | G 3/8" -19   | 24         | 13,94 x 2,62 |
| GE HRO 06 HB 08 | G 3/8" -19   | G 1/2" -14   | 29         | 13,94 x 2,62 |
| GE HRO 08 HB 06 | G 1/2" -14   | G 3/8" -19   | 29         | 17,86 x 2,62 |
| GE HRO 08 HB    | G 1/2" -14   | G 1/2" -14   | 28         | 17,86 x 2,62 |
| GE HRO 08 HB 10 | G 1/2" -14   | G 5/8" -14   | 29         | 17,86 x 2,62 |
| GE HRO 08 HB 12 | G 1/2" -14   | G 3/4" -14   | 29         | 17,86 x 2,62 |
| GE HRO 12 HB 08 | G 3/4" -14   | G 1/2" -14   | 35         | 23,47 x 2,62 |
| GE HRO 12 HB    | G 3/4" -14   | G 3/4" -14   | 35         | 23,47 x 2,62 |
| GE HRO 12 HB 16 | G 3/4" -14   | G 1" -11     | 43         | 23,47 x 2,62 |
| GE HRO 16 HB 12 | G 1" -11     | G 3/4" -14   | 43         | 29,74 x 3,53 |
| GE HRO 16 HB    | G 1" -11     | G 1" -11     | 43         | 29,74 x 3,53 |
| GE HRO 20 HB 16 | G 1.1/4" -11 | G 1" -11     | 53         | 37,69 x 3,53 |
| GE HRO 20 HB    | G 1.1/4" -11 | G 1.1/4" -11 | 53         | 37,69 x 3,53 |
| GE HRO 24 HB    | G 1.1/2" -11 | G 1.1/2" -11 | 58         | 44,04 x 3,53 |

SW = ancho de llave