

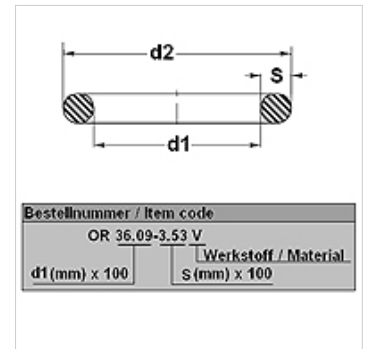
OR 90° Shore NBR

Junta tórica, 90SH NBR

HANSA FLEX

Características

| | |
|------------------|--------------|
| Construcción | Junta tórica |
| Temperatura min. | -30 °C |
| Temperatura max. | 110 °C |
| Material | NBR 90 Shore |



Artículo

| Denominación | d1 (mm) | d2 (mm) | s (mm) |
|-------------------|------------|------------|-----------|
| OR 1.78-1.78 N90 | 1,78 | 5,34 | 1,78 |
| OR 2.4-1.9 N90 | 2,40 | 6,20 | 1,90 |
| OR 2.57-1.78 N90 | 2,57 | 6,13 | 1,78 |
| OR 2.6-1.9 N90 | 2,60 | 6,40 | 1,90 |
| OR 2.9-1.78 N90 | 2,90 | 6,46 | 1,78 |
| OR 3.17-1.78 N90 | 3,17 | 6,73 | 1,78 |
| OR 3.68-1.78 N90 | 3,68 | 7,24 | 1,78 |
| OR 4-2 N90 | 4,00 | 8,00 | 2,00 |
| OR 4.47-1.78 N90 | 4,47 | 8,03 | 1,78 |
| OR 4.76-1.78 N90 | 4,76 | 8,32 | 1,78 |
| OR 4.9-1.9 N90 | 4,90 | 8,70 | 1,90 |
| OR 5-1.5 N90 | 5,00 | 8,00 | 1,50 |
| OR 5-2 N90 | 5,00 | 9,00 | 2,00 |
| OR 5.28-1.78 N90 | 5,28 | 8,84 | 1,78 |
| OR 5.7-1.9 N90 | 5,70 | 9,50 | 1,90 |
| OR 6-2 N90 | 6,00 | 10,00 | 2,00 |
| OR 6.07-1.78 N90 | 6,07 | 9,63 | 1,78 |
| OR 6.35-1.78 N90 | 6,35 | 9,91 | 1,78 |
| OR 6.4-1.9 N90 | 6,40 | 10,20 | 1,90 |
| OR 6.75-1.78 N90 | 6,75 | 10,31 | 1,78 |
| OR 7-1.5 N90 | 7,00 | 10,00 | 1,50 |
| OR 7.2-1.9 N90 | 7,20 | 11,00 | 1,90 |
| OR 7.59-2.62 N90 | 7,59 | 12,83 | 2,62 |
| OR 7.65-1.78 N90 | 7,65 | 11,21 | 1,78 |
| OR 7.94-1.78 N90 | 7,94 | 11,50 | 1,78 |
| OR 8-1.9 N90 | 8,00 | 11,80 | 1,90 |
| OR 8-2 N90 | 8,00 | 12,00 | 2,00 |
| OR 8.3-2.4 N90 | 8,30 | 13,10 | 2,40 |
| OR 8.73-1.78 N90 | 8,73 | 12,29 | 1,78 |
| OR 8.9-1.9 N90 | 8,90 | 12,70 | 1,90 |
| OR 8.9-2.7 N90 | 8,90 | 14,30 | 2,70 |
| OR 9-2 N90 | 9,00 | 13,00 | 2,00 |
| OR 9-2.5 N90 | 9,00 | 14,00 | 2,50 |
| OR 9.19-2.62 N90 | 9,19 | 14,43 | 2,62 |
| OR 9.25-1.78 N90 | 9,25 | 12,81 | 1,78 |
| OR 9.3-2.4 N90 | 9,30 | 14,10 | 2,40 |
| OR 9.52-1.78 N90 | 9,52 | 13,08 | 1,78 |
| OR 9.9-2.62 N90 | 9,90 | 15,14 | 2,62 |
| OR 10-2.5 N90 | 10,00 | 15,00 | 2,50 |
| OR 10-3 N90 | 10,00 | 16,00 | 3,00 |
| OR 10.3-2.4 N90 | 10,30 | 15,10 | 2,40 |
| OR 10.5-1.5 N90 | 10,50 | 13,50 | 1,50 |
| OR 10.5-2 N90 | 10,50 | 14,50 | 2,00 |
| OR 10.5-2.7 N90 | 10,50 | 15,90 | 2,70 |
| OR 10.77-2.62 N90 | 10,77 | 16,01 | 2,62 |
| OR 10.82-1.78 N90 | 10,82 | 14,38 | 1,78 |
| OR 11-1.5 N90 | 11,00 | 14,00 | 1,50 |
| OR 11-2 N90 | 11,00 | 15,00 | 2,00 |
| OR 11-2.5 N90 | 11,00 | 16,00 | 2,50 |
| OR 11.11-1.78 N90 | 11,11 | 14,67 | 1,78 |



Hemos revisado cuidadosamente esta publicación, pero no obstante no podemos excluir los errores y no garantizamos los datos que constan aquí.

01.07.2024

HANSA-FLEX AG

www.hansa-flex.com

1

OR 90° Shore NBR

Junta tórica, 90SH NBR

Artículo

| Denominación | d1 (mm) | d2 (mm) | s (mm) |
|-------------------|------------|------------|-----------|
| OR 11.3-2.4 N90 | 11,30 | 16,10 | 2,40 |
| OR 11.5-2 N90 | 11,50 | 15,50 | 2,00 |
| OR 11.91-2.62 N90 | 11,91 | 17,15 | 2,62 |
| OR 12-2.5 N90 | 12,00 | 17,00 | 2,50 |
| OR 12-3 N90 | 12,00 | 18,00 | 3,00 |
| OR 12.1-2.7 N90 | 12,10 | 17,50 | 2,70 |
| OR 12.3-2.4 N90 | 12,30 | 17,10 | 2,40 |
| OR 12.37-2.62 N90 | 12,37 | 17,61 | 2,62 |
| OR 12.42-1.78 N90 | 12,42 | 15,98 | 1,78 |
| OR 13-1 N90 | 13,00 | 15,00 | 1,00 |
| OR 13-2.5 N90 | 13,00 | 18,00 | 2,50 |
| OR 13-3 N90 | 13,00 | 19,00 | 3,00 |
| OR 13.3-2.4 N90 | 13,30 | 18,10 | 2,40 |
| OR 13.6-2.7 N90 | 13,60 | 19,00 | 2,70 |
| OR 13.94-2.62 N90 | 13,94 | 19,18 | 2,62 |
| OR 14-1.5 N90 | 14,00 | 17,00 | 1,50 |
| OR 14-1.78 N90 | 14,00 | 17,56 | 1,78 |
| OR 14-2 N90 | 14,00 | 18,00 | 2,00 |
| OR 14-2.5 N90 | 14,00 | 19,00 | 2,50 |
| OR 14-3 N90 | 14,00 | 20,00 | 3,00 |
| OR 14.1-1.6 N90 | 14,10 | 17,30 | 1,60 |
| OR 14.3-2.4 N90 | 14,30 | 19,10 | 2,40 |
| OR 15-2.5 N90 | 15,00 | 20,00 | 2,50 |
| OR 15-3 N90 | 15,00 | 21,00 | 3,00 |
| OR 15.08-2.62 N90 | 15,08 | 20,32 | 2,62 |
| OR 15.1-2.7 N90 | 15,10 | 20,50 | 2,70 |
| OR 15.47-3.53 N90 | 15,47 | 22,53 | 3,53 |
| OR 15.54-2.62 N90 | 15,54 | 20,78 | 2,62 |
| OR 15.6-1.78 N90 | 15,60 | 19,16 | 1,78 |
| OR 15.88-2.62 N90 | 15,88 | 21,12 | 2,62 |
| OR 16-2 N90 | 16,00 | 20,00 | 2,00 |
| OR 16-3 N90 | 16,00 | 22,00 | 3,00 |
| OR 16.3-2.4 N90 | 16,30 | 21,10 | 2,40 |
| OR 16.9-2.7 N90 | 16,90 | 22,30 | 2,70 |
| OR 17-1.5 N90 | 17,00 | 20,00 | 1,50 |
| OR 17-2 N90 | 17,00 | 21,00 | 2,00 |
| OR 17-2.5 N90 | 17,00 | 22,00 | 2,50 |
| OR 17-3 N90 | 17,00 | 23,00 | 3,00 |
| OR 17.04-3.53 N90 | 17,04 | 24,10 | 3,53 |
| OR 17.12-2.62 N90 | 17,12 | 22,36 | 2,62 |
| OR 17.17-1.78 N90 | 17,17 | 20,73 | 1,78 |
| OR 17.3-2.4 N90 | 17,30 | 22,10 | 2,40 |
| OR 17.86-2.62 N90 | 17,86 | 23,10 | 2,62 |
| OR 18-2 N90 | 18,00 | 22,00 | 2,00 |
| OR 18-2.5 N90 | 18,00 | 23,00 | 2,50 |
| OR 18-3 N90 | 18,00 | 24,00 | 3,00 |
| OR 18.3-2.4 N90 | 18,30 | 23,10 | 2,40 |
| OR 18.3-3.6 N90 | 18,30 | 25,50 | 3,60 |
| OR 18.4-2.7 N90 | 18,40 | 23,80 | 2,70 |
| OR 18.5-2 N90 | 18,50 | 22,50 | 2,00 |
| OR 18.64-3.53 N90 | 18,64 | 25,70 | 3,53 |
| OR 18.72-2.62 N90 | 18,72 | 23,96 | 2,62 |
| OR 18.77-1.78 N90 | 18,77 | 22,33 | 1,78 |
| OR 19-3 N90 | 19,00 | 25,00 | 3,00 |
| OR 19.2-3 N90 | 19,20 | 25,20 | 3,00 |
| OR 19.3-2.4 N90 | 19,30 | 24,10 | 2,40 |
| OR 19.5-2.5 N90 | 19,50 | 24,50 | 2,50 |
| OR 19.8-3.6 N90 | 19,80 | 27,00 | 3,60 |
| OR 20-3 N90 | 20,00 | 26,00 | 3,00 |
| OR 20-3.5 N90 | 20,00 | 27,00 | 3,50 |
| OR 20-4 N90 | 20,00 | 28,00 | 4,00 |
| OR 20.22-3.53 N90 | 20,22 | 27,28 | 3,53 |
| OR 20.3-2.4 N90 | 20,30 | 25,10 | 2,40 |



Hemos revisado cuidadosamente esta publicación, pero no obstante no podemos excluir los errores y no garantizamos los datos que constan aquí.

OR 90° Shore NBR

Junta tórica, 90SH NBR

Artículo

| Denominación | d1 (mm) | d2 (mm) | s (mm) |
|-------------------|------------|------------|-----------|
| OR 20.3-2.62 N90 | 20,30 | 25,54 | 2,62 |
| OR 20.35-1.78 N90 | 20,35 | 23,91 | 1,78 |
| OR 20.5-2.4 N90 | 20,50 | 25,30 | 2,40 |
| OR 21-2 N90 | 21,00 | 25,00 | 2,00 |
| OR 21-2.5 N90 | 21,00 | 26,00 | 2,50 |
| OR 21-3 N90 | 21,00 | 27,00 | 3,00 |
| OR 21-4 N90 | 21,00 | 29,00 | 4,00 |
| OR 21.3-2.4 N90 | 21,30 | 26,10 | 2,40 |
| OR 21.3-3.6 N90 | 21,30 | 28,50 | 3,60 |
| OR 21.82-3.53 N90 | 21,82 | 28,88 | 3,53 |
| OR 21.89-2.62 N90 | 21,89 | 27,13 | 2,62 |
| OR 21.95-1.78 N90 | 21,95 | 25,51 | 1,78 |
| OR 22-2 N90 | 22,00 | 26,00 | 2,00 |
| OR 22-3 N90 | 22,00 | 28,00 | 3,00 |
| OR 22-4 N90 | 22,00 | 30,00 | 4,00 |
| OR 22.23-2.62 N90 | 22,23 | 27,47 | 2,62 |
| OR 22.3-2.4 N90 | 22,30 | 27,10 | 2,40 |
| OR 23-2 N90 | 23,00 | 27,00 | 2,00 |
| OR 23-2.5 N90 | 23,00 | 28,00 | 2,50 |
| OR 23-3 N90 | 23,00 | 29,00 | 3,00 |
| OR 23-3.6 N90 | 23,00 | 30,20 | 3,60 |
| OR 23.3-2.4 N90 | 23,30 | 28,10 | 2,40 |
| OR 23.39-3.53 N90 | 23,39 | 30,45 | 3,53 |
| OR 23.47-2.62 N90 | 23,47 | 28,71 | 2,62 |
| OR 23.5-3 N90 | 23,50 | 29,50 | 3,00 |
| OR 23.52-1.78 N90 | 23,52 | 27,08 | 1,78 |
| OR 24-2 N90 | 24,00 | 28,00 | 2,00 |
| OR 24-2.5 N90 | 24,00 | 29,00 | 2,50 |
| OR 24-3 N90 | 24,00 | 30,00 | 3,00 |
| OR 24-4 N90 | 24,00 | 32,00 | 4,00 |
| OR 24.6-3.6 N90 | 24,60 | 31,80 | 3,60 |
| OR 24.99-3.53 N90 | 24,99 | 32,05 | 3,53 |
| OR 25-2 N90 | 25,00 | 29,00 | 2,00 |
| OR 25-2.4 N90 | 25,00 | 29,80 | 2,40 |
| OR 25-3 N90 | 25,00 | 31,00 | 3,00 |
| OR 25-4 N90 | 25,00 | 33,00 | 4,00 |
| OR 25-5 N90 | 25,00 | 35,00 | 5,00 |
| OR 25.07-2.62 N90 | 25,07 | 30,31 | 2,62 |
| OR 25.12-1.78 N90 | 25,12 | 28,68 | 1,78 |
| OR 25.3-2.4 N90 | 25,30 | 30,10 | 2,40 |
| OR 25.8-3.53 N90 | 25,80 | 32,86 | 3,53 |
| OR 26-2.5 N90 | 26,00 | 31,00 | 2,50 |
| OR 26-3 N90 | 26,00 | 32,00 | 3,00 |
| OR 26-4 N90 | 26,00 | 34,00 | 4,00 |
| OR 26-5 N90 | 26,00 | 36,00 | 5,00 |
| OR 26.2-3.6 N90 | 26,20 | 33,40 | 3,60 |
| OR 26.57-3.53 N90 | 26,57 | 33,63 | 3,53 |
| OR 26.64-2.62 N90 | 26,64 | 31,88 | 2,62 |
| OR 26.7-1.78 N90 | 26,70 | 30,26 | 1,78 |
| OR 27-2 N90 | 27,00 | 31,00 | 2,00 |
| OR 27-3 N90 | 27,00 | 33,00 | 3,00 |
| OR 27.3-2.4 N90 | 27,30 | 32,10 | 2,40 |
| OR 27.8-3.6 N90 | 27,80 | 35,00 | 3,60 |
| OR 28-2 N90 | 28,00 | 32,00 | 2,00 |
| OR 28-2.5 N90 | 28,00 | 33,00 | 2,50 |
| OR 28-3 N90 | 28,00 | 34,00 | 3,00 |
| OR 28-4 N90 | 28,00 | 36,00 | 4,00 |
| OR 28-5 N90 | 28,00 | 38,00 | 5,00 |
| OR 28.17-3.53 N90 | 28,17 | 35,23 | 3,53 |
| OR 28.24-2.62 N90 | 28,24 | 33,48 | 2,62 |
| OR 28.3-1.78 N90 | 28,30 | 31,86 | 1,78 |
| OR 29-2 N90 | 29,00 | 33,00 | 2,00 |
| OR 29-2.5 N90 | 29,00 | 34,00 | 2,50 |



Hemos revisado cuidadosamente esta publicación, pero no obstante no podemos excluir los errores y no garantizamos los datos que constan aquí.

OR 90° Shore NBR

Junta tórica, 90SH NBR

Artículo

| Denominación | d1 (mm) | d2 (mm) | s (mm) |
|-------------------|------------|------------|-----------|
| OR 29-3 N90 | 29,00 | 35,00 | 3,00 |
| OR 29.3-3.6 N90 | 29,30 | 36,50 | 3,60 |
| OR 29.6-2.4 N90 | 29,60 | 34,40 | 2,40 |
| OR 29.74-3.53 N90 | 29,74 | 36,80 | 3,53 |
| OR 29.82-2.62 N90 | 29,82 | 35,06 | 2,62 |
| OR 29.87-1.78 N90 | 29,87 | 33,43 | 1,78 |
| OR 30-2 N90 | 30,00 | 34,00 | 2,00 |
| OR 30-2.5 N90 | 30,00 | 35,00 | 2,50 |
| OR 30-3 N90 | 30,00 | 36,00 | 3,00 |
| OR 30-4 N90 | 30,00 | 38,00 | 4,00 |
| OR 30-5 N90 | 30,00 | 40,00 | 5,00 |
| OR 30.3-2.4 N90 | 30,30 | 35,10 | 2,40 |
| OR 30.8-3.6 N90 | 30,80 | 38,00 | 3,60 |
| OR 31-2 N90 | 31,00 | 35,00 | 2,00 |
| OR 31-2.5 N90 | 31,00 | 36,00 | 2,50 |
| OR 31-3 N90 | 31,00 | 37,00 | 3,00 |
| OR 31-4 N90 | 31,00 | 39,00 | 4,00 |
| OR 31.12-5.34 N90 | 31,12 | 41,80 | 5,34 |
| OR 31.34-3.53 N90 | 31,34 | 38,40 | 3,53 |
| OR 31.42-2.62 N90 | 31,42 | 36,66 | 2,62 |
| OR 31.47-1.78 N90 | 31,47 | 35,03 | 1,78 |
| OR 32-2 N90 | 32,00 | 36,00 | 2,00 |
| OR 32-3 N90 | 32,00 | 38,00 | 3,00 |
| OR 32-3.5 N90 | 32,00 | 39,00 | 3,50 |
| OR 32-4 N90 | 32,00 | 40,00 | 4,00 |
| OR 32-5 N90 | 32,00 | 42,00 | 5,00 |
| OR 32.5-3.6 N90 | 32,50 | 39,70 | 3,60 |
| OR 32.69-5.34 N90 | 32,69 | 43,37 | 5,34 |
| OR 32.92-3.53 N90 | 32,92 | 39,98 | 3,53 |
| OR 32.99-2.62 N90 | 32,99 | 38,23 | 2,62 |
| OR 33-2 N90 | 33,00 | 37,00 | 2,00 |
| OR 33-3 N90 | 33,00 | 39,00 | 3,00 |
| OR 33.05-1.78 N90 | 33,05 | 36,61 | 1,78 |
| OR 33.3-2.4 N90 | 33,30 | 38,10 | 2,40 |
| OR 34-2 N90 | 34,00 | 38,00 | 2,00 |
| OR 34-2.5 N90 | 34,00 | 39,00 | 2,50 |
| OR 34-3 N90 | 34,00 | 40,00 | 3,00 |
| OR 34-4 N90 | 34,00 | 42,00 | 4,00 |
| OR 34.1-3.6 N90 | 34,10 | 41,30 | 3,60 |
| OR 34.29-5.34 N90 | 34,29 | 44,97 | 5,34 |
| OR 34.52-3.53 N90 | 34,52 | 41,58 | 3,53 |
| OR 34.59-2.62 N90 | 34,59 | 39,83 | 2,62 |
| OR 34.65-1.78 N90 | 34,65 | 38,21 | 1,78 |
| OR 35-2 N90 | 35,00 | 39,00 | 2,00 |
| OR 35-2.5 N90 | 35,00 | 40,00 | 2,50 |
| OR 35-3 N90 | 35,00 | 41,00 | 3,00 |
| OR 35-4 N90 | 35,00 | 43,00 | 4,00 |
| OR 35-5 N90 | 35,00 | 45,00 | 5,00 |
| OR 35.6-3.6 N90 | 35,60 | 42,80 | 3,60 |
| OR 36-2 N90 | 36,00 | 40,00 | 2,00 |
| OR 36-2.5 N90 | 36,00 | 41,00 | 2,50 |
| OR 36-3 N90 | 36,00 | 42,00 | 3,00 |
| OR 36-4 N90 | 36,00 | 44,00 | 4,00 |
| OR 36-5 N90 | 36,00 | 46,00 | 5,00 |
| OR 36.09-3.53 N90 | 36,09 | 43,15 | 3,53 |
| OR 36.17-2.62 N90 | 36,17 | 41,41 | 2,62 |
| OR 36.27-1.78 N90 | 36,27 | 39,83 | 1,78 |
| OR 37-2 N90 | 37,00 | 41,00 | 2,00 |
| OR 37-2.5 N90 | 37,00 | 42,00 | 2,50 |
| OR 37-3 N90 | 37,00 | 43,00 | 3,00 |
| OR 37-4 N90 | 37,00 | 45,00 | 4,00 |
| OR 37.3-3.6 N90 | 37,30 | 44,50 | 3,60 |
| OR 37.47-5.34 N90 | 37,47 | 48,15 | 5,34 |



Hemos revisado cuidadosamente esta publicación, pero no obstante no podemos excluir los errores y no garantizamos los datos que constan aquí.

OR 90° Shore NBR

Junta tórica, 90SH NBR

Artículo

| Denominación | d1 (mm) | d2 (mm) | s (mm) |
|-------------------|------------|------------|-----------|
| OR 37.69-3.53 N90 | 37,69 | 44,75 | 3,53 |
| OR 37.77-2.62 N90 | 37,77 | 43,01 | 2,62 |
| OR 37.82-1.78 N90 | 37,82 | 41,38 | 1,78 |
| OR 38-2 N90 | 38,00 | 42,00 | 2,00 |
| OR 38-3 N90 | 38,00 | 44,00 | 3,00 |
| OR 38-4 N90 | 38,00 | 46,00 | 4,00 |
| OR 38-5 N90 | 38,00 | 48,00 | 5,00 |
| OR 39-2.5 N90 | 39,00 | 44,00 | 2,50 |
| OR 39-3 N90 | 39,00 | 45,00 | 3,00 |
| OR 39-4 N90 | 39,00 | 47,00 | 4,00 |
| OR 39.2-5.7 N90 | 39,20 | 50,60 | 5,70 |
| OR 39.34-2.62 N90 | 39,34 | 44,58 | 2,62 |
| OR 39.45-1.78 N90 | 39,45 | 43,01 | 1,78 |
| OR 39.7-3.53 N90 | 39,70 | 46,76 | 3,53 |
| OR 40-2 N90 | 40,00 | 44,00 | 2,00 |
| OR 40-2.5 N90 | 40,00 | 45,00 | 2,50 |
| OR 40-3 N90 | 40,00 | 46,00 | 3,00 |
| OR 40-4 N90 | 40,00 | 48,00 | 4,00 |
| OR 40-5 N90 | 40,00 | 50,00 | 5,00 |
| OR 40.64-5.34 N90 | 40,64 | 51,32 | 5,34 |
| OR 40.87-3.53 N90 | 40,87 | 47,93 | 3,53 |
| OR 40.94-2.62 N90 | 40,94 | 46,18 | 2,62 |
| OR 41-1.78 N90 | 41,00 | 44,56 | 1,78 |
| OR 41-2.5 N90 | 41,00 | 46,00 | 2,50 |
| OR 41-3 N90 | 41,00 | 47,00 | 3,00 |
| OR 41-3.5 N90 | 41,00 | 48,00 | 3,50 |
| OR 41-4 N90 | 41,00 | 49,00 | 4,00 |
| OR 41.28-3.53 N90 | 41,28 | 48,34 | 3,53 |
| OR 42-2 N90 | 42,00 | 46,00 | 2,00 |
| OR 42-2.5 N90 | 42,00 | 47,00 | 2,50 |
| OR 42-3 N90 | 42,00 | 48,00 | 3,00 |
| OR 42-3.5 N90 | 42,00 | 49,00 | 3,50 |
| OR 42-4 N90 | 42,00 | 50,00 | 4,00 |
| OR 42-5 N90 | 42,00 | 52,00 | 5,00 |
| OR 42.52-2.62 N90 | 42,52 | 47,76 | 2,62 |
| OR 42.86-3.53 N90 | 42,86 | 49,92 | 3,53 |
| OR 43-2 N90 | 43,00 | 47,00 | 2,00 |
| OR 43-3 N90 | 43,00 | 49,00 | 3,00 |
| OR 43-3.5 N90 | 43,00 | 50,00 | 3,50 |
| OR 43-4 N90 | 43,00 | 51,00 | 4,00 |
| OR 43.82-5.34 N90 | 43,82 | 54,50 | 5,34 |
| OR 44-2 N90 | 44,00 | 48,00 | 2,00 |
| OR 44-2.5 N90 | 44,00 | 49,00 | 2,50 |
| OR 44-3 N90 | 44,00 | 50,00 | 3,00 |
| OR 44-3.5 N90 | 44,00 | 51,00 | 3,50 |
| OR 44-4 N90 | 44,00 | 52,00 | 4,00 |
| OR 44-6 N90 | 44,00 | 56,00 | 6,00 |
| OR 44.04-3.53 N90 | 44,04 | 51,10 | 3,53 |
| OR 44.12-2.62 N90 | 44,12 | 49,36 | 2,62 |
| OR 44.17-1.78 N90 | 44,17 | 47,73 | 1,78 |
| OR 44.45-3.53 N90 | 44,45 | 51,51 | 3,53 |
| OR 45-2 N90 | 45,00 | 49,00 | 2,00 |
| OR 45-2.5 N90 | 45,00 | 50,00 | 2,50 |
| OR 45-3 N90 | 45,00 | 51,00 | 3,00 |
| OR 45-4 N90 | 45,00 | 53,00 | 4,00 |
| OR 45-5 N90 | 45,00 | 55,00 | 5,00 |
| OR 45.69-2.62 N90 | 45,69 | 50,93 | 2,62 |
| OR 46-2 N90 | 46,00 | 50,00 | 2,00 |
| OR 46-2.5 N90 | 46,00 | 51,00 | 2,50 |
| OR 46-3 N90 | 46,00 | 52,00 | 3,00 |
| OR 46-4 N90 | 46,00 | 54,00 | 4,00 |
| OR 46-5 N90 | 46,00 | 56,00 | 5,00 |
| OR 46.04-3.53 N90 | 46,04 | 53,10 | 3,53 |



Hemos revisado cuidadosamente esta publicación, pero no obstante no podemos excluir los errores y no garantizamos los datos que constan aquí.

OR 90° Shore NBR

Junta tórica, 90SH NBR

Artículo

| Denominación | d1 (mm) | d2 (mm) | s (mm) |
|-------------------|------------|------------|-----------|
| OR 46.99-5.34 N90 | 46,99 | 57,67 | 5,34 |
| OR 47-2 N90 | 47,00 | 51,00 | 2,00 |
| OR 47-2.5 N90 | 47,00 | 52,00 | 2,50 |
| OR 47-3 N90 | 47,00 | 53,00 | 3,00 |
| OR 47-4 N90 | 47,00 | 55,00 | 4,00 |
| OR 47.22-3.53 N90 | 47,22 | 54,28 | 3,53 |
| OR 47.29-2.62 N90 | 47,29 | 52,53 | 2,62 |
| OR 47.35-1.78 N90 | 47,35 | 50,91 | 1,78 |
| OR 47.62-3.53 N90 | 47,62 | 54,68 | 3,53 |
| OR 48-2 N90 | 48,00 | 52,00 | 2,00 |
| OR 48-2.5 N90 | 48,00 | 53,00 | 2,50 |
| OR 48-3 N90 | 48,00 | 54,00 | 3,00 |
| OR 48-4 N90 | 48,00 | 56,00 | 4,00 |
| OR 48-5 N90 | 48,00 | 58,00 | 5,00 |
| OR 48.9-2.62 N90 | 48,90 | 54,14 | 2,62 |
| OR 49-2.5 N90 | 49,00 | 54,00 | 2,50 |
| OR 49-3 N90 | 49,00 | 55,00 | 3,00 |
| OR 49-4 N90 | 49,00 | 57,00 | 4,00 |
| OR 49.2-3.53 N90 | 49,20 | 56,26 | 3,53 |
| OR 49.2-5.7 N90 | 49,20 | 60,60 | 5,70 |
| OR 50-2 N90 | 50,00 | 54,00 | 2,00 |
| OR 50-2.5 N90 | 50,00 | 55,00 | 2,50 |
| OR 50-3 N90 | 50,00 | 56,00 | 3,00 |
| OR 50-5 N90 | 50,00 | 60,00 | 5,00 |
| OR 50.17-5.34 N90 | 50,17 | 60,85 | 5,34 |
| OR 50.39-3.53 N90 | 50,39 | 57,45 | 3,53 |
| OR 50.47-2.62 N90 | 50,47 | 55,71 | 2,62 |
| OR 50.52-1.78 N90 | 50,52 | 54,08 | 1,78 |
| OR 52-3 N90 | 52,00 | 58,00 | 3,00 |
| OR 52-4 N90 | 52,00 | 60,00 | 4,00 |
| OR 52-5 N90 | 52,00 | 62,00 | 5,00 |
| OR 52.07-2.62 N90 | 52,07 | 57,31 | 2,62 |
| OR 52.3-5.7 N90 | 52,30 | 63,70 | 5,70 |
| OR 52.4-3.53 N90 | 52,40 | 59,46 | 3,53 |
| OR 53-2 N90 | 53,00 | 57,00 | 2,00 |
| OR 53-2.5 N90 | 53,00 | 58,00 | 2,50 |
| OR 53-3 N90 | 53,00 | 59,00 | 3,00 |
| OR 53-5 N90 | 53,00 | 63,00 | 5,00 |
| OR 53.34-5.34 N90 | 53,34 | 64,02 | 5,34 |
| OR 53.57-3.53 N90 | 53,57 | 60,63 | 3,53 |
| OR 53.64-2.62 N90 | 53,64 | 58,88 | 2,62 |
| OR 53.7-1.78 N90 | 53,70 | 57,26 | 1,78 |
| OR 54-2 N90 | 54,00 | 58,00 | 2,00 |
| OR 54-2.5 N90 | 54,00 | 59,00 | 2,50 |
| OR 54-3 N90 | 54,00 | 60,00 | 3,00 |
| OR 54-4 N90 | 54,00 | 62,00 | 4,00 |
| OR 54.2-5.7 N90 | 54,20 | 65,60 | 5,70 |
| OR 55-2 N90 | 55,00 | 59,00 | 2,00 |
| OR 55-2.5 N90 | 55,00 | 60,00 | 2,50 |
| OR 55-3 N90 | 55,00 | 61,00 | 3,00 |
| OR 55-3.5 N90 | 55,00 | 62,00 | 3,50 |
| OR 55-4 N90 | 55,00 | 63,00 | 4,00 |
| OR 55-5 N90 | 55,00 | 65,00 | 5,00 |
| OR 55.25-2.62 N90 | 55,25 | 60,49 | 2,62 |
| OR 55.56-3.53 N90 | 55,56 | 62,62 | 3,53 |
| OR 56-2.5 N90 | 56,00 | 61,00 | 2,50 |
| OR 56-3 N90 | 56,00 | 62,00 | 3,00 |
| OR 56-4 N90 | 56,00 | 64,00 | 4,00 |
| OR 56.52-5.34 N90 | 56,52 | 67,20 | 5,34 |
| OR 56.74-3.53 N90 | 56,74 | 63,80 | 3,53 |
| OR 56.82-2.62 N90 | 56,82 | 62,06 | 2,62 |
| OR 56.87-1.78 N90 | 56,87 | 60,43 | 1,78 |
| OR 57-2.5 N90 | 57,00 | 62,00 | 2,50 |



Hemos revisado cuidadosamente esta publicación, pero no obstante no podemos excluir los errores y no garantizamos los datos que constan aquí.

OR 90° Shore NBR

Junta tórica, 90SH NBR

Artículo

| Denominación | d1 (mm) | d2 (mm) | s (mm) |
|-------------------|------------|------------|-----------|
| OR 57-3 N90 | 57,00 | 63,00 | 3,00 |
| OR 57.15-3.53 N90 | 57,15 | 64,21 | 3,53 |
| OR 58-2 N90 | 58,00 | 62,00 | 2,00 |
| OR 58-3 N90 | 58,00 | 64,00 | 3,00 |
| OR 58-4 N90 | 58,00 | 66,00 | 4,00 |
| OR 58.42-2.62 N90 | 58,42 | 63,66 | 2,62 |
| OR 58.74-3.53 N90 | 58,74 | 65,80 | 3,53 |
| OR 59-2.5 N90 | 59,00 | 64,00 | 2,50 |
| OR 59-3 N90 | 59,00 | 65,00 | 3,00 |
| OR 59.2-5.7 N90 | 59,20 | 70,60 | 5,70 |
| OR 59.5-3 N90 | 59,50 | 65,50 | 3,00 |
| OR 59.69-5.34 N90 | 59,69 | 70,37 | 5,34 |
| OR 59.92-3.53 N90 | 59,92 | 66,98 | 3,53 |
| OR 59.99-2.62 N90 | 59,99 | 65,23 | 2,62 |
| OR 60-2 N90 | 60,00 | 64,00 | 2,00 |
| OR 60-2.5 N90 | 60,00 | 65,00 | 2,50 |
| OR 60-3 N90 | 60,00 | 66,00 | 3,00 |
| OR 60-4 N90 | 60,00 | 68,00 | 4,00 |
| OR 60-5 N90 | 60,00 | 70,00 | 5,00 |
| OR 60.05-1.78 N90 | 60,05 | 63,61 | 1,78 |
| OR 60.32-3.53 N90 | 60,32 | 67,38 | 3,53 |
| OR 61.2-5.7 N90 | 61,20 | 72,60 | 5,70 |
| OR 61.9-3.53 N90 | 61,90 | 68,96 | 3,53 |
| OR 62-2 N90 | 62,00 | 66,00 | 2,00 |
| OR 62-2.5 N90 | 62,00 | 67,00 | 2,50 |
| OR 62-3 N90 | 62,00 | 68,00 | 3,00 |
| OR 62-3.5 N90 | 62,00 | 69,00 | 3,50 |
| OR 62-4 N90 | 62,00 | 70,00 | 4,00 |
| OR 62-5 N90 | 62,00 | 72,00 | 5,00 |
| OR 62.3-5.7 N90 | 62,30 | 73,70 | 5,70 |
| OR 62.87-5.34 N90 | 62,87 | 73,55 | 5,34 |
| OR 63-2 N90 | 63,00 | 67,00 | 2,00 |
| OR 63-2.5 N90 | 63,00 | 68,00 | 2,50 |
| OR 63-3 N90 | 63,00 | 69,00 | 3,00 |
| OR 63-4 N90 | 63,00 | 71,00 | 4,00 |
| OR 63.09-3.53 N90 | 63,09 | 70,15 | 3,53 |
| OR 63.17-2.62 N90 | 63,17 | 68,41 | 2,62 |
| OR 63.22-1.78 N90 | 63,22 | 66,78 | 1,78 |
| OR 64-3 N90 | 64,00 | 70,00 | 3,00 |
| OR 64-4 N90 | 64,00 | 72,00 | 4,00 |
| OR 64-5 N90 | 64,00 | 74,00 | 5,00 |
| OR 64.3-5.7 N90 | 64,30 | 75,70 | 5,70 |
| OR 64.77-2.62 N90 | 64,77 | 70,01 | 2,62 |
| OR 65-2 N90 | 65,00 | 69,00 | 2,00 |
| OR 65-3 N90 | 65,00 | 71,00 | 3,00 |
| OR 65-3.5 N90 | 65,00 | 72,00 | 3,50 |
| OR 65-4 N90 | 65,00 | 73,00 | 4,00 |
| OR 65-5 N90 | 65,00 | 75,00 | 5,00 |
| OR 65.1-3.53 N90 | 65,10 | 72,16 | 3,53 |
| OR 66-2 N90 | 66,00 | 70,00 | 2,00 |
| OR 66-3 N90 | 66,00 | 72,00 | 3,00 |
| OR 66.04-5.34 N90 | 66,04 | 76,72 | 5,34 |
| OR 66.27-3.53 N90 | 66,27 | 73,33 | 3,53 |
| OR 66.34-2.62 N90 | 66,34 | 71,58 | 2,62 |
| OR 67-2.5 N90 | 67,00 | 72,00 | 2,50 |
| OR 67-3 N90 | 67,00 | 73,00 | 3,00 |
| OR 67-4 N90 | 67,00 | 75,00 | 4,00 |
| OR 67-5 N90 | 67,00 | 77,00 | 5,00 |
| OR 67.95-2.62 N90 | 67,95 | 73,19 | 2,62 |
| OR 68-2.5 N90 | 68,00 | 73,00 | 2,50 |
| OR 68-3 N90 | 68,00 | 74,00 | 3,00 |
| OR 68.26-3.53 N90 | 68,26 | 75,32 | 3,53 |
| OR 69.2-5.7 N90 | 69,20 | 80,60 | 5,70 |



OR 90° Shore NBR

Junta tórica, 90SH NBR

Artículo

| Denominación | d1 (mm) | d2 (mm) | s (mm) |
|-------------------|------------|------------|-----------|
| OR 69.22-5.34 N90 | 69,22 | 79,90 | 5,34 |
| OR 69.3-5.7 N90 | 69,30 | 80,70 | 5,70 |
| OR 69.44-3.53 N90 | 69,44 | 76,50 | 3,53 |
| OR 69.52-2.62 N90 | 69,52 | 74,76 | 2,62 |
| OR 69.85-3.53 N90 | 69,85 | 76,91 | 3,53 |
| OR 70-2 N90 | 70,00 | 74,00 | 2,00 |
| OR 70-2.5 N90 | 70,00 | 75,00 | 2,50 |
| OR 70-3 N90 | 70,00 | 76,00 | 3,00 |
| OR 70-3.5 N90 | 70,00 | 77,00 | 3,50 |
| OR 70-4 N90 | 70,00 | 78,00 | 4,00 |
| OR 70-5 N90 | 70,00 | 80,00 | 5,00 |
| OR 71-3 N90 | 71,00 | 77,00 | 3,00 |
| OR 71.12-2.62 N90 | 71,12 | 76,36 | 2,62 |
| OR 72-2 N90 | 72,00 | 76,00 | 2,00 |
| OR 72-3 N90 | 72,00 | 78,00 | 3,00 |
| OR 72-4 N90 | 72,00 | 80,00 | 4,00 |
| OR 72-5 N90 | 72,00 | 82,00 | 5,00 |
| OR 72.2-5.7 N90 | 72,20 | 83,60 | 5,70 |
| OR 72.39-5.34 N90 | 72,39 | 83,07 | 5,34 |
| OR 72.62-3.53 N90 | 72,62 | 79,68 | 3,53 |
| OR 73-3 N90 | 73,00 | 79,00 | 3,00 |
| OR 73-4 N90 | 73,00 | 81,00 | 4,00 |
| OR 73-5 N90 | 73,00 | 83,00 | 5,00 |
| OR 73.02-3.53 N90 | 73,02 | 80,08 | 3,53 |
| OR 74-3 N90 | 74,00 | 80,00 | 3,00 |
| OR 74-4 N90 | 74,00 | 82,00 | 4,00 |
| OR 74.2-5.7 N90 | 74,20 | 85,60 | 5,70 |
| OR 74.6-3.53 N90 | 74,60 | 81,66 | 3,53 |
| OR 75-2 N90 | 75,00 | 79,00 | 2,00 |
| OR 75-2.5 N90 | 75,00 | 80,00 | 2,50 |
| OR 75-3 N90 | 75,00 | 81,00 | 3,00 |
| OR 75-3.5 N90 | 75,00 | 82,00 | 3,50 |
| OR 75-4 N90 | 75,00 | 83,00 | 4,00 |
| OR 75-5 N90 | 75,00 | 85,00 | 5,00 |
| OR 75.57-5.34 N90 | 75,57 | 86,25 | 5,34 |
| OR 75.79-3.53 N90 | 75,79 | 82,85 | 3,53 |
| OR 75.87-2.62 N90 | 75,87 | 81,11 | 2,62 |
| OR 76-2.5 N90 | 76,00 | 81,00 | 2,50 |
| OR 76-3 N90 | 76,00 | 82,00 | 3,00 |
| OR 76-4 N90 | 76,00 | 84,00 | 4,00 |
| OR 77-3 N90 | 77,00 | 83,00 | 3,00 |
| OR 77-5 N90 | 77,00 | 87,00 | 5,00 |
| OR 78-2 N90 | 78,00 | 82,00 | 2,00 |
| OR 78-4 N90 | 78,00 | 86,00 | 4,00 |
| OR 78.74-5.34 N90 | 78,74 | 89,42 | 5,34 |
| OR 78.97-3.53 N90 | 78,97 | 86,03 | 3,53 |
| OR 79-1.78 N90 | 79,00 | 82,56 | 1,78 |
| OR 79-3 N90 | 79,00 | 85,00 | 3,00 |
| OR 79.3-5.7 N90 | 79,30 | 90,70 | 5,70 |
| OR 79.73-5.34 N90 | 79,73 | 90,41 | 5,34 |
| OR 80-2 N90 | 80,00 | 84,00 | 2,00 |
| OR 80-2.5 N90 | 80,00 | 85,00 | 2,50 |
| OR 80-3 N90 | 80,00 | 86,00 | 3,00 |
| OR 80-4 N90 | 80,00 | 88,00 | 4,00 |
| OR 80-5 N90 | 80,00 | 90,00 | 5,00 |
| OR 81.92-5.34 N90 | 81,92 | 92,60 | 5,34 |
| OR 82-2 N90 | 82,00 | 86,00 | 2,00 |
| OR 82-3 N90 | 82,00 | 88,00 | 3,00 |
| OR 82-3.5 N90 | 82,00 | 89,00 | 3,50 |
| OR 82-4 N90 | 82,00 | 90,00 | 4,00 |
| OR 82-5 N90 | 82,00 | 92,00 | 5,00 |
| OR 82.14-3.53 N90 | 82,14 | 89,20 | 3,53 |
| OR 82.2-5.7 N90 | 82,20 | 93,60 | 5,70 |



Hemos revisado cuidadosamente esta publicación, pero no obstante no podemos excluir los errores y no garantizamos los datos que constan aquí.

OR 90° Shore NBR

Junta tórica, 90SH NBR

Artículo

| Denominación | d1 (mm) | d2 (mm) | s (mm) |
|--------------------|------------|------------|-----------|
| OR 82.22-2.62 N90 | 82,22 | 87,46 | 2,62 |
| OR 82.27-1.78 N90 | 82,27 | 85,83 | 1,78 |
| OR 83-3 N90 | 83,00 | 89,00 | 3,00 |
| OR 84-3 N90 | 84,00 | 90,00 | 3,00 |
| OR 84.3-5.7 N90 | 84,30 | 95,70 | 5,70 |
| OR 85-2 N90 | 85,00 | 89,00 | 2,00 |
| OR 85-2.5 N90 | 85,00 | 90,00 | 2,50 |
| OR 85-3 N90 | 85,00 | 91,00 | 3,00 |
| OR 85-3.5 N90 | 85,00 | 92,00 | 3,50 |
| OR 85-4 N90 | 85,00 | 93,00 | 4,00 |
| OR 85-5 N90 | 85,00 | 95,00 | 5,00 |
| OR 85.09-5.34 N90 | 85,09 | 95,77 | 5,34 |
| OR 85.32-3.53 N90 | 85,32 | 92,38 | 3,53 |
| OR 86-2 N90 | 86,00 | 90,00 | 2,00 |
| OR 86-2.5 N90 | 86,00 | 91,00 | 2,50 |
| OR 86-3 N90 | 86,00 | 92,00 | 3,00 |
| OR 86-4 N90 | 86,00 | 94,00 | 4,00 |
| OR 88-3 N90 | 88,00 | 94,00 | 3,00 |
| OR 88-6 N90 | 88,00 | 100,00 | 6,00 |
| OR 88.27-2.62 N90 | 88,27 | 93,51 | 2,62 |
| OR 88.27-5.34 N90 | 88,27 | 98,95 | 5,34 |
| OR 88.49-3.53 N90 | 88,49 | 95,55 | 3,53 |
| OR 89.2-5.7 N90 | 89,20 | 100,60 | 5,70 |
| OR 89.5-3 N90 | 89,50 | 95,50 | 3,00 |
| OR 89.69-5.34 N90 | 89,69 | 100,37 | 5,34 |
| OR 90-2 N90 | 90,00 | 94,00 | 2,00 |
| OR 90-2.5 N90 | 90,00 | 95,00 | 2,50 |
| OR 90-3 N90 | 90,00 | 96,00 | 3,00 |
| OR 90-4 N90 | 90,00 | 98,00 | 4,00 |
| OR 90-5 N90 | 90,00 | 100,00 | 5,00 |
| OR 91.44-5.34 N90 | 91,44 | 102,12 | 5,34 |
| OR 91.67-3.53 N90 | 91,67 | 98,73 | 3,53 |
| OR 92-2 N90 | 92,00 | 96,00 | 2,00 |
| OR 92-3 N90 | 92,00 | 98,00 | 3,00 |
| OR 92-4 N90 | 92,00 | 100,00 | 4,00 |
| OR 92-5 N90 | 92,00 | 102,00 | 5,00 |
| OR 93-3 N90 | 93,00 | 99,00 | 3,00 |
| OR 94-2 N90 | 94,00 | 98,00 | 2,00 |
| OR 94-2.5 N90 | 94,00 | 99,00 | 2,50 |
| OR 94-3 N90 | 94,00 | 100,00 | 3,00 |
| OR 94.3-5.7 N90 | 94,30 | 105,70 | 5,70 |
| OR 94.62-5.34 N90 | 94,62 | 105,30 | 5,34 |
| OR 94.84-3.53 N90 | 94,84 | 101,90 | 3,53 |
| OR 94.92-2.62 N90 | 94,92 | 100,16 | 2,62 |
| OR 95-3 N90 | 95,00 | 101,00 | 3,00 |
| OR 95-4 N90 | 95,00 | 103,00 | 4,00 |
| OR 95-5 N90 | 95,00 | 105,00 | 5,00 |
| OR 96-2 N90 | 96,00 | 100,00 | 2,00 |
| OR 96-3 N90 | 96,00 | 102,00 | 3,00 |
| OR 96-4 N90 | 96,00 | 104,00 | 4,00 |
| OR 97.79-5.34 N90 | 97,79 | 108,47 | 5,34 |
| OR 98-3 N90 | 98,00 | 104,00 | 3,00 |
| OR 98.02-3.53 N90 | 98,02 | 105,08 | 3,53 |
| OR 99-5.7 N90 | 99,00 | 110,40 | 5,70 |
| OR 99.2-5.7 N90 | 99,20 | 110,60 | 5,70 |
| OR 100-2 N90 | 100,00 | 104,00 | 2,00 |
| OR 100-3 N90 | 100,00 | 106,00 | 3,00 |
| OR 100-4 N90 | 100,00 | 108,00 | 4,00 |
| OR 100-5 N90 | 100,00 | 110,00 | 5,00 |
| OR 100.97-5.34 N90 | 100,97 | 111,65 | 5,34 |
| OR 101.19-3.53 N90 | 101,19 | 108,25 | 3,53 |
| OR 101.27-2.62 N90 | 101,27 | 106,51 | 2,62 |
| OR 102-3 N90 | 102,00 | 108,00 | 3,00 |



OR 90° Shore NBR

Junta tórica, 90SH NBR

HANSA FLEX

Artículo

| Denominación | d1 (mm) | d2 (mm) | s (mm) |
|--------------------|------------|------------|-----------|
| OR 102-4 N90 | 102,00 | 110,00 | 4,00 |
| OR 104-4 N90 | 104,00 | 112,00 | 4,00 |
| OR 104.14-5.34 N90 | 104,14 | 114,82 | 5,34 |
| OR 104.3-5.7 N90 | 104,30 | 115,70 | 5,70 |
| OR 104.37-3.53 N90 | 104,37 | 111,43 | 3,53 |
| OR 105-3 N90 | 105,00 | 111,00 | 3,00 |
| OR 105-4 N90 | 105,00 | 113,00 | 4,00 |
| OR 105-5 N90 | 105,00 | 115,00 | 5,00 |
| OR 107-5 N90 | 107,00 | 117,00 | 5,00 |
| OR 107.32-5.34 N90 | 107,32 | 118,00 | 5,34 |
| OR 107.54-3.53 N90 | 107,54 | 114,60 | 3,53 |
| OR 107.62-2.62 N90 | 107,62 | 112,86 | 2,62 |
| OR 108-3 N90 | 108,00 | 114,00 | 3,00 |
| OR 109-5.7 N90 | 109,00 | 120,40 | 5,70 |
| OR 109.2-5.7 N90 | 109,20 | 120,60 | 5,70 |
| OR 109.54-5.34 N90 | 109,54 | 120,22 | 5,34 |
| OR 110-4 N90 | 110,00 | 118,00 | 4,00 |
| OR 110-5 N90 | 110,00 | 120,00 | 5,00 |
| OR 110.49-5.34 N90 | 110,49 | 121,17 | 5,34 |
| OR 110.72-3.53 N90 | 110,72 | 117,78 | 3,53 |
| OR 112-3 N90 | 112,00 | 118,00 | 3,00 |
| OR 113.67-5.34 N90 | 113,67 | 124,35 | 5,34 |
| OR 113.67-7 N90 | 113,67 | 127,67 | 7,00 |
| OR 113.89-3.53 N90 | 113,89 | 120,95 | 3,53 |
| OR 114-3 N90 | 114,00 | 120,00 | 3,00 |
| OR 114.3-5.7 N90 | 114,30 | 125,70 | 5,70 |
| OR 115-3 N90 | 115,00 | 121,00 | 3,00 |
| OR 115-4 N90 | 115,00 | 123,00 | 4,00 |
| OR 115-5 N90 | 115,00 | 125,00 | 5,00 |
| OR 116-3 N90 | 116,00 | 122,00 | 3,00 |
| OR 116.84-5.34 N90 | 116,84 | 127,52 | 5,34 |
| OR 116.84-7 N90 | 116,84 | 130,84 | 7,00 |
| OR 117-4 N90 | 117,00 | 125,00 | 4,00 |
| OR 117.07-3.53 N90 | 117,07 | 124,13 | 3,53 |
| OR 117.48-5.34 N90 | 117,48 | 128,16 | 5,34 |
| OR 118-4 N90 | 118,00 | 126,00 | 4,00 |
| OR 119-3 N90 | 119,00 | 125,00 | 3,00 |
| OR 119.3-5.7 N90 | 119,30 | 130,70 | 5,70 |
| OR 120-3 N90 | 120,00 | 126,00 | 3,00 |
| OR 120-4 N90 | 120,00 | 128,00 | 4,00 |
| OR 120-5 N90 | 120,00 | 130,00 | 5,00 |
| OR 120.02-5.34 N90 | 120,02 | 130,70 | 5,34 |
| OR 120.02-7 N90 | 120,02 | 134,02 | 7,00 |
| OR 120.24-3.53 N90 | 120,24 | 127,30 | 3,53 |
| OR 122-5 N90 | 122,00 | 132,00 | 5,00 |
| OR 123.19-5.34 N90 | 123,19 | 133,87 | 5,34 |
| OR 123.19-7 N90 | 123,19 | 137,19 | 7,00 |
| OR 123.42-3.53 N90 | 123,42 | 130,48 | 3,53 |
| OR 123.83-5.34 N90 | 123,83 | 134,51 | 5,34 |
| OR 124-3 N90 | 124,00 | 130,00 | 3,00 |
| OR 124.3-5.7 N90 | 124,30 | 135,70 | 5,70 |
| OR 125-3 N90 | 125,00 | 131,00 | 3,00 |
| OR 125-4 N90 | 125,00 | 133,00 | 4,00 |
| OR 125-5 N90 | 125,00 | 135,00 | 5,00 |
| OR 126-3.5 N90 | 126,00 | 133,00 | 3,50 |
| OR 126.37-7 N90 | 126,37 | 140,37 | 7,00 |
| OR 126.59-3.53 N90 | 126,59 | 133,65 | 3,53 |
| OR 127-5.34 N90 | 127,00 | 137,68 | 5,34 |
| OR 128-3 N90 | 128,00 | 134,00 | 3,00 |
| OR 129.3-5.7 N90 | 129,30 | 140,70 | 5,70 |
| OR 129.54-5.34 N90 | 129,54 | 140,22 | 5,34 |
| OR 129.54-7 N90 | 129,54 | 143,54 | 7,00 |
| OR 129.77-3.53 N90 | 129,77 | 136,83 | 3,53 |



Hemos revisado cuidadosamente esta publicación, pero no obstante no podemos excluir los errores y no garantizamos los datos que constan aquí.

01.07.2024

HANSA-FLEX AG

www.hansa-flex.com

10

OR 90° Shore NBR

Junta tórica, 90SH NBR

Artículo

| Denominación | d1 (mm) | d2 (mm) | s (mm) |
|--------------------|------------|------------|-----------|
| OR 130-3 N90 | 130,00 | 136,00 | 3,00 |
| OR 130-4 N90 | 130,00 | 138,00 | 4,00 |
| OR 130-5 N90 | 130,00 | 140,00 | 5,00 |
| OR 132-3 N90 | 132,00 | 138,00 | 3,00 |
| OR 132.72-5.34 N90 | 132,72 | 143,40 | 5,34 |
| OR 132.72-7 N90 | 132,72 | 146,72 | 7,00 |
| OR 132.94-3.53 N90 | 132,94 | 140,00 | 3,53 |
| OR 133.35-5.34 N90 | 133,35 | 144,03 | 5,34 |
| OR 134-3 N90 | 134,00 | 140,00 | 3,00 |
| OR 134-4 N90 | 134,00 | 142,00 | 4,00 |
| OR 134.3-5.7 N90 | 134,30 | 145,70 | 5,70 |
| OR 135-5 N90 | 135,00 | 145,00 | 5,00 |
| OR 135.89-5.34 N90 | 135,89 | 146,57 | 5,34 |
| OR 135.89-7 N90 | 135,89 | 149,89 | 7,00 |
| OR 136-3 N90 | 136,00 | 142,00 | 3,00 |
| OR 136-4 N90 | 136,00 | 144,00 | 4,00 |
| OR 136.12-3.53 N90 | 136,12 | 143,18 | 3,53 |
| OR 139.07-5.34 N90 | 139,07 | 149,75 | 5,34 |
| OR 139.07-7 N90 | 139,07 | 153,07 | 7,00 |
| OR 139.29-3.53 N90 | 139,29 | 146,35 | 3,53 |
| OR 139.3-5.7 N90 | 139,30 | 150,70 | 5,70 |
| OR 140-3 N90 | 140,00 | 146,00 | 3,00 |
| OR 140-4 N90 | 140,00 | 148,00 | 4,00 |
| OR 140-5 N90 | 140,00 | 150,00 | 5,00 |
| OR 142-6 N90 | 142,00 | 154,00 | 6,00 |
| OR 142.24-7 N90 | 142,24 | 156,24 | 7,00 |
| OR 143-3 N90 | 143,00 | 149,00 | 3,00 |
| OR 144.3-5.7 N90 | 144,30 | 155,70 | 5,70 |
| OR 144.5-3 N90 | 144,50 | 150,50 | 3,00 |
| OR 145-3 N90 | 145,00 | 151,00 | 3,00 |
| OR 145-4 N90 | 145,00 | 153,00 | 4,00 |
| OR 145-5 N90 | 145,00 | 155,00 | 5,00 |
| OR 145.42-5.34 N90 | 145,42 | 156,10 | 5,34 |
| OR 145.42-7 N90 | 145,42 | 159,42 | 7,00 |
| OR 145.64-3.53 N90 | 145,64 | 152,70 | 3,53 |
| OR 145.72-2.62 N90 | 145,72 | 150,96 | 2,62 |
| OR 146-6 N90 | 146,00 | 158,00 | 6,00 |
| OR 146.05-5.34 N90 | 146,05 | 156,73 | 5,34 |
| OR 148-3 N90 | 148,00 | 154,00 | 3,00 |
| OR 148-6 N90 | 148,00 | 160,00 | 6,00 |
| OR 148.59-5.34 N90 | 148,59 | 159,27 | 5,34 |
| OR 148.59-7 N90 | 148,59 | 162,59 | 7,00 |
| OR 148.82-3.53 N90 | 148,82 | 155,88 | 3,53 |
| OR 149.2-5.7 N90 | 149,20 | 160,60 | 5,70 |
| OR 149.23-5.34 N90 | 149,23 | 159,91 | 5,34 |
| OR 150-4 N90 | 150,00 | 158,00 | 4,00 |
| OR 150-5 N90 | 150,00 | 160,00 | 5,00 |
| OR 150-6 N90 | 150,00 | 162,00 | 6,00 |
| OR 151.77-5.34 N90 | 151,77 | 162,45 | 5,34 |
| OR 151.77-7 N90 | 151,77 | 165,77 | 7,00 |
| OR 151.99-3.53 N90 | 151,99 | 159,05 | 3,53 |
| OR 154-3 N90 | 154,00 | 160,00 | 3,00 |
| OR 154.3-5.7 N90 | 154,30 | 165,70 | 5,70 |
| OR 155-4 N90 | 155,00 | 163,00 | 4,00 |
| OR 155-5 N90 | 155,00 | 165,00 | 5,00 |
| OR 158.12-5.34 N90 | 158,12 | 168,80 | 5,34 |
| OR 158.12-7 N90 | 158,12 | 172,12 | 7,00 |
| OR 158.34-3.53 N90 | 158,34 | 165,40 | 3,53 |
| OR 159.3-5.7 N90 | 159,30 | 170,70 | 5,70 |
| OR 160-3 N90 | 160,00 | 166,00 | 3,00 |
| OR 160-4 N90 | 160,00 | 168,00 | 4,00 |
| OR 160-5 N90 | 160,00 | 170,00 | 5,00 |
| OR 162-3 N90 | 162,00 | 168,00 | 3,00 |



OR 90° Shore NBR

Junta tórica, 90SH NBR

Artículo

| Denominación | d1 (mm) | d2 (mm) | s (mm) |
|--------------------|------------|------------|-----------|
| OR 164.3-5.7 N90 | 164,30 | 175,70 | 5,70 |
| OR 164.47-5.34 N90 | 164,47 | 175,15 | 5,34 |
| OR 164.47-7 N90 | 164,47 | 178,47 | 7,00 |
| OR 164.69-3.53 N90 | 164,69 | 171,75 | 3,53 |
| OR 165-3 N90 | 165,00 | 171,00 | 3,00 |
| OR 165-4 N90 | 165,00 | 173,00 | 4,00 |
| OR 165-5 N90 | 165,00 | 175,00 | 5,00 |
| OR 166.7-7 N90 | 166,70 | 180,70 | 7,00 |
| OR 168-3 N90 | 168,00 | 174,00 | 3,00 |
| OR 169.3-5.7 N90 | 169,30 | 180,70 | 5,70 |
| OR 170-3 N90 | 170,00 | 176,00 | 3,00 |
| OR 170-5 N90 | 170,00 | 180,00 | 5,00 |
| OR 170.82-5.34 N90 | 170,82 | 181,50 | 5,34 |
| OR 170.82-7 N90 | 170,82 | 184,82 | 7,00 |
| OR 171.04-3.53 N90 | 171,04 | 178,10 | 3,53 |
| OR 173-5 N90 | 173,00 | 183,00 | 5,00 |
| OR 175-5 N90 | 175,00 | 185,00 | 5,00 |
| OR 175-6 N90 | 175,00 | 187,00 | 6,00 |
| OR 177.17-7 N90 | 177,17 | 191,17 | 7,00 |
| OR 177.39-3.53 N90 | 177,39 | 184,45 | 3,53 |
| OR 180-3 N90 | 180,00 | 186,00 | 3,00 |
| OR 180-4 N90 | 180,00 | 188,00 | 4,00 |
| OR 180-5 N90 | 180,00 | 190,00 | 5,00 |
| OR 183.52-5.34 N90 | 183,52 | 194,20 | 5,34 |
| OR 183.52-7 N90 | 183,52 | 197,52 | 7,00 |
| OR 183.74-3.53 N90 | 183,74 | 190,80 | 3,53 |
| OR 184.3-5.7 N90 | 184,30 | 195,70 | 5,70 |
| OR 184.5-3 N90 | 184,50 | 190,50 | 3,00 |
| OR 185-5 N90 | 185,00 | 195,00 | 5,00 |
| OR 189.3-5.7 N90 | 189,30 | 200,70 | 5,70 |
| OR 189.87-5.34 N90 | 189,87 | 200,55 | 5,34 |
| OR 189.87-7 N90 | 189,87 | 203,87 | 7,00 |
| OR 190-3 N90 | 190,00 | 196,00 | 3,00 |
| OR 190-4 N90 | 190,00 | 198,00 | 4,00 |
| OR 190-5 N90 | 190,00 | 200,00 | 5,00 |
| OR 190.09-3.53 N90 | 190,09 | 197,15 | 3,53 |
| OR 194.3-5.7 N90 | 194,30 | 205,70 | 5,70 |
| OR 195-4 N90 | 195,00 | 203,00 | 4,00 |
| OR 195-5 N90 | 195,00 | 205,00 | 5,00 |
| OR 196.22-5.34 N90 | 196,22 | 206,90 | 5,34 |
| OR 196.22-7 N90 | 196,22 | 210,22 | 7,00 |
| OR 199.3-5.7 N90 | 199,30 | 210,70 | 5,70 |
| OR 200-3 N90 | 200,00 | 206,00 | 3,00 |
| OR 200-5 N90 | 200,00 | 210,00 | 5,00 |
| OR 202.57-5.34 N90 | 202,57 | 213,25 | 5,34 |
| OR 202.57-7 N90 | 202,57 | 216,57 | 7,00 |
| OR 202.79-3.53 N90 | 202,79 | 209,85 | 3,53 |
| OR 205-5 N90 | 205,00 | 215,00 | 5,00 |
| OR 208.92-7 N90 | 208,92 | 222,92 | 7,00 |
| OR 209.3-5.7 N90 | 209,30 | 220,70 | 5,70 |
| OR 210-5 N90 | 210,00 | 220,00 | 5,00 |
| OR 215-5 N90 | 215,00 | 225,00 | 5,00 |
| OR 215.27-5.34 N90 | 215,27 | 225,95 | 5,34 |
| OR 215.27-7 N90 | 215,27 | 229,27 | 7,00 |
| OR 219.3-5.7 N90 | 219,30 | 230,70 | 5,70 |
| OR 220-5 N90 | 220,00 | 230,00 | 5,00 |
| OR 221.62-5.34 N90 | 221,62 | 232,30 | 5,34 |
| OR 225-3 N90 | 225,00 | 231,00 | 3,00 |
| OR 225-5 N90 | 225,00 | 235,00 | 5,00 |
| OR 227.97-5.34 N90 | 227,97 | 238,65 | 5,34 |
| OR 227.97-7 N90 | 227,97 | 241,97 | 7,00 |
| OR 229.3-5.7 N90 | 229,30 | 240,70 | 5,70 |
| OR 230-5 N90 | 230,00 | 240,00 | 5,00 |



OR 90° Shore NBR

Junta tórica, 90SH NBR

Artículo

| Denominación | d1 (mm) | d2 (mm) | s (mm) |
|--------------------|------------|------------|-----------|
| OR 234.32-5.34 N90 | 234,32 | 245,00 | 5,34 |
| OR 234.32-7 N90 | 234,32 | 248,32 | 7,00 |
| OR 235-5 N90 | 235,00 | 245,00 | 5,00 |
| OR 239.3-5.7 N90 | 239,30 | 250,70 | 5,70 |
| OR 240-5 N90 | 240,00 | 250,00 | 5,00 |
| OR 240.67-5.34 N90 | 240,67 | 251,35 | 5,34 |
| OR 240.67-7 N90 | 240,67 | 254,67 | 7,00 |
| OR 240.89-3.53 N90 | 240,89 | 247,95 | 3,53 |
| OR 247.02-5.34 N90 | 247,02 | 257,70 | 5,34 |
| OR 249.3-5.7 N90 | 249,30 | 260,70 | 5,70 |
| OR 250-5 N90 | 250,00 | 260,00 | 5,00 |
| OR 253.37-7 N90 | 253,37 | 267,37 | 7,00 |
| OR 253.59-3.53 N90 | 253,59 | 260,65 | 3,53 |
| OR 260-5 N90 | 260,00 | 270,00 | 5,00 |
| OR 266.07-5.34 N90 | 266,07 | 276,75 | 5,34 |
| OR 266.07-7 N90 | 266,07 | 280,07 | 7,00 |
| OR 270-5 N90 | 270,00 | 280,00 | 5,00 |
| OR 278.77-5.34 N90 | 278,77 | 289,45 | 5,34 |
| OR 278.77-7 N90 | 278,77 | 292,77 | 7,00 |
| OR 280-5 N90 | 280,00 | 290,00 | 5,00 |
| OR 285.1-7 N90 | 285,10 | 299,10 | 7,00 |
| OR 290-5 N90 | 290,00 | 300,00 | 5,00 |
| OR 291.47-7 N90 | 291,47 | 305,47 | 7,00 |
| OR 304.17-7 N90 | 304,17 | 318,17 | 7,00 |
| OR 304.39-3.53 N90 | 304,39 | 311,45 | 3,53 |
| OR 316.87-7 N90 | 316,87 | 330,87 | 7,00 |
| OR 329.57-7 N90 | 329,57 | 343,57 | 7,00 |
| OR 329.79-3.53 N90 | 329,79 | 336,85 | 3,53 |
| OR 342.27-7 N90 | 342,27 | 356,27 | 7,00 |
| OR 354.97-7 N90 | 354,97 | 368,97 | 7,00 |
| OR 359.3-5.7 N90 | 359,30 | 370,70 | 5,70 |
| OR 367.67-7 N90 | 367,67 | 381,67 | 7,00 |
| OR 380.37-7 N90 | 380,37 | 394,37 | 7,00 |
| OR 393.07-7 N90 | 393,07 | 407,07 | 7,00 |
| OR 405.26-7 N90 | 405,26 | 419,26 | 7,00 |
| OR 417.96-7 N90 | 417,96 | 431,96 | 7,00 |
| OR 439.3-5.7 N90 | 439,30 | 450,70 | 5,70 |