

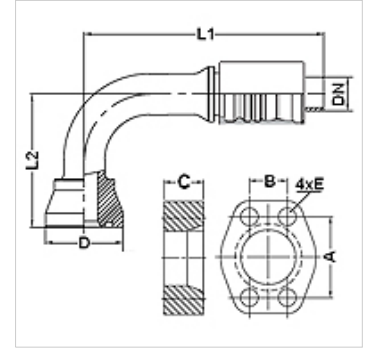
PA 700 SK6 90 PLUS

Swage fitting, SK6 angle 90°

HANSA FLEX

Características

| | |
|------------------------------------|---|
| Campo de aplicación | Fijación a presión para tubos flexibles HD 700 PLUS |
| Conexión 1 | Conexión de brida SAE 6000 PSI |
| Forma de obturación 1 | obturación plana con junta tórica SF |
| Integración | con fijación contra el desgarre (Interlock) |
| Volumen de suministro | Racor a presión + engaste a presión |
| Característica adicional | cone SAE fitting |
| Material | Acero |
| Protección de la superficie | con revestimiento galvanizado |



Artículo

| Denominación | DN | Tamaño | Pulgadas | Tamaño de brida | D (mm) | M metr. | L1 (mm) | L2 (mm) | A (mm) | B (mm) | C (mm) | E (mm) |
|---------------------------|----|--------|----------|-----------------|--------|-----------|---------|---------|--------|--------|--------|--------|
| PA 720 SK6 90 PLUS | 19 | 12 | 3/4" | 3/4" | 43,5 | M 10 x 45 | 134,8 | 75,0 | 50,8 | 23,8 | 25,0 | 11 |
| PA 725 SK6 90 PLUS | 25 | 16 | 1" | 1" | 49,4 | M 12 x 50 | 155,0 | 90,0 | 57,2 | 27,8 | 27,0 | 13 |
| PA 725 SK6 32 90 PLUS | 25 | 16 | 1" | 1.1/4" | 57,4 | | 167,6 | 105,0 | 66,6 | 31,8 | 32,0 | 15 |
| PA 732 SK6 90 PLUS | 31 | 20 | 1.1/4" | 1.1/4" | 57,4 | | 185,0 | 120,0 | 66,6 | 31,8 | 32,0 | 15 |
| PA 732 SK6 90 L 160 PLUS | 31 | 20 | 1.1/4" | 1.1/4" | 57,4 | | 185,0 | 160,0 | 66,6 | 31,8 | 32,0 | 15 |
| PA 732 SK6 40 90 PLUS | 31 | 20 | 1.1/4" | 1.1/2" | 68,4 | | 213,1 | 125,9 | 79,3 | 36,5 | 40,0 | 17 |
| PA 740 SK6 90 PLUS | 38 | 24 | 1.1/2" | 1.1/2" | 68,4 | | 234,0 | 140,0 | 79,3 | 36,5 | 40,0 | 17 |
| PA 740 SK6 90 L180 PLUS | 38 | 24 | 1.1/2" | 1.1/2" | 68,4 | | 234,0 | 180,0 | 79,3 | 36,5 | 40,0 | 17 |
| PA 740 SK6 90 L215 PLUS | 38 | 24 | 1.1/2" | 1.1/2" | 68,4 | | 234,0 | 215,0 | 79,3 | 36,5 | 40,0 | 17 |
| PA 740 SK6 50 90 PLUS | 38 | 24 | 1.1/2" | 2" | 83,5 | | 287,0 | 160,0 | 96,8 | 44,5 | 50,0 | 21 |
| PA 740 SK6 50 90 L 180 PL | 38 | 24 | 1.1/2" | 2" | 83,5 | | 284,0 | 180,0 | 96,8 | 44,5 | 50,0 | 21 |
| PA 750 SK6 90 PLUS | 51 | 32 | 2" | 2" | 83,5 | | 272,9 | 180,0 | 96,8 | 44,5 | 50,0 | 21 |
| PA 750 SK6 90 L280 PLUS | 51 | 32 | 2" | 2" | 83,5 | | 217,6 | 280,0 | 96,8 | 44,5 | 50,0 | 21 |

Accesorios

| | |
|----------------------|----------------------------------|
| FS | Obturación para bridas SAE e ISO |
| SCHRAUBE M | Tornillo hexagonal interior |
| SCHRAUBE M VZ | Tornillo hexagonal interior |